



## OPERATING MANUAL Gfp 563 TH



**Please read this manual carefully before operating!**

## Table of Contents

Contents	Page
1. Introduction .....	3
2. Important Safety Instructions.....	3
3. Installation Safeguards .....	4
4. General Safeguards.....	5
5. Operating Conditions .....	6
6. System Components .....	7
7. Control Panel .....	8
8. Packing List .....	9
9. Installation	
A. Uncrate the machine.....	10
B. Remove heat tube package.....	10
C. Remove machine from Skid.....	11
D. Assemble machine stand.....	12
E. Set Machine on stand.....	13
F. Align machine to stand.....	14
10. Installing heat tube	
A. Insert heat tube.....	15
B. Connect electric wires.....	16
11. Installing Take up Reel .....	17
12. Additional installation items .....	18
13. Removing Press roller assembly.....	18
14. Loading film .....	19
15. Threading Film .....	20
16. Operation .....	21
17. Roller Gap.....	21
18. Roller Gap adjustment.....	22
19. Optional Rewind .....	23
20. Troubleshooting .....	24
21. Specifications .....	25
22. Warranty .....	26

# 1. Introduction

Thank you for choosing a Gfp laminator. It has been designed and manufactured to provide years of continuous service. Please read this manual thoroughly before operating. Please inspect the box and the laminator for shipping damage. Damage should be brought to the attention of the delivering carrier immediately. For a list of shipping components see “Packing List” on page 9.

## 2. Important Safety Instructions



In this operating manual you will find important safety messages regarding the product.

Read these instructions carefully, failure to comply with the following safety procedures could result in serious injury.



**WARNING** Do not attempt to service or repair the laminator. Only authorized maintenance and service technicians should make repairs.



**WARNING** Do not connect the laminator to an electrical supply or attempt to operate the laminator until you have completely read these instructions. Maintain these instructions in a convenient location for future reference.



**WARNING** To guard against injury, the following safety precautions must be observed in the installation and use of the laminator

### 3. Installation Safeguards

- Shipping damage should be brought to the immediate attention of the delivering carrier
- Avoid locating the laminator near sources of heat or cold. Avoid locating the laminator in the direct path of forced, heated or cooled air
- The receptacle must be located near the equipment and easily accessible.



- Connect the attachment plug provided with the laminator to a suitably grounded outlet only. This machine must have reliable earth wire to ensure the safety of the machine during operations
- Contact an electrician should the attachment plug provided with the laminator not match the receptacles at your location



- Ensure that the voltages of the power supply you are using match the rated working voltages before operations. Do not use incorrect power supply



- Do not use damaged wires or sockets. If abnormal conditions occur, switch off the power supply first.



- Only a licensed electrician should install wiring and outlet for the laminator
- Do not defeat or remove electrical and mechanical safety equipment such as interlocks, shields and guards

## 4. General Safeguards

- Keep hands, long hair, loose clothing, and articles such as neckties away from rollers to avoid entanglement and entrapment. The rollers have pinch points that can trap body parts or clothing and cause serious injury
- Do not use the machines for purposes other than lamination and mounting, otherwise damages to the machine or accidents may occur
- Keep out of reach of children
- Keep flammable and wet objects away from the machine.
- Do not use flammable sprays or materials when cleaning the machine
- Do not leave the machine unattended during operations.
- Do not mount metal materials or other hard objects.
- Do not put burrs, sharp blade or rigid materials in between the two rubber rollers.
- Do not attempt to laminate items that exceed total recommended material thickness of the unit.
- Do not touch the rollers when they are hot or place foreign object inside the machine.
- Do not cut adhesive films directly on the surface of the rollers to avoid damaging the rubber coating.
- Shut down the machine after laminating to avoid misusing this machine by others.
- Shut down the power before moving the machine
- Note the locations of foot wheels while moving or operating this machine to avoid injuries to your feet.



- Disconnect from the power supply before repair or maintenance.



- Disconnect from the power supply when the machine is not in use for a long time.
- When the machine lies idle for a long period of time, raise the top rubber roller to avoid the distortion of the rubber surface.
- Do not cover the surface of the machine until the machine has completely cooled.
- Perform only the routine maintenance procedures referred to in these instructions

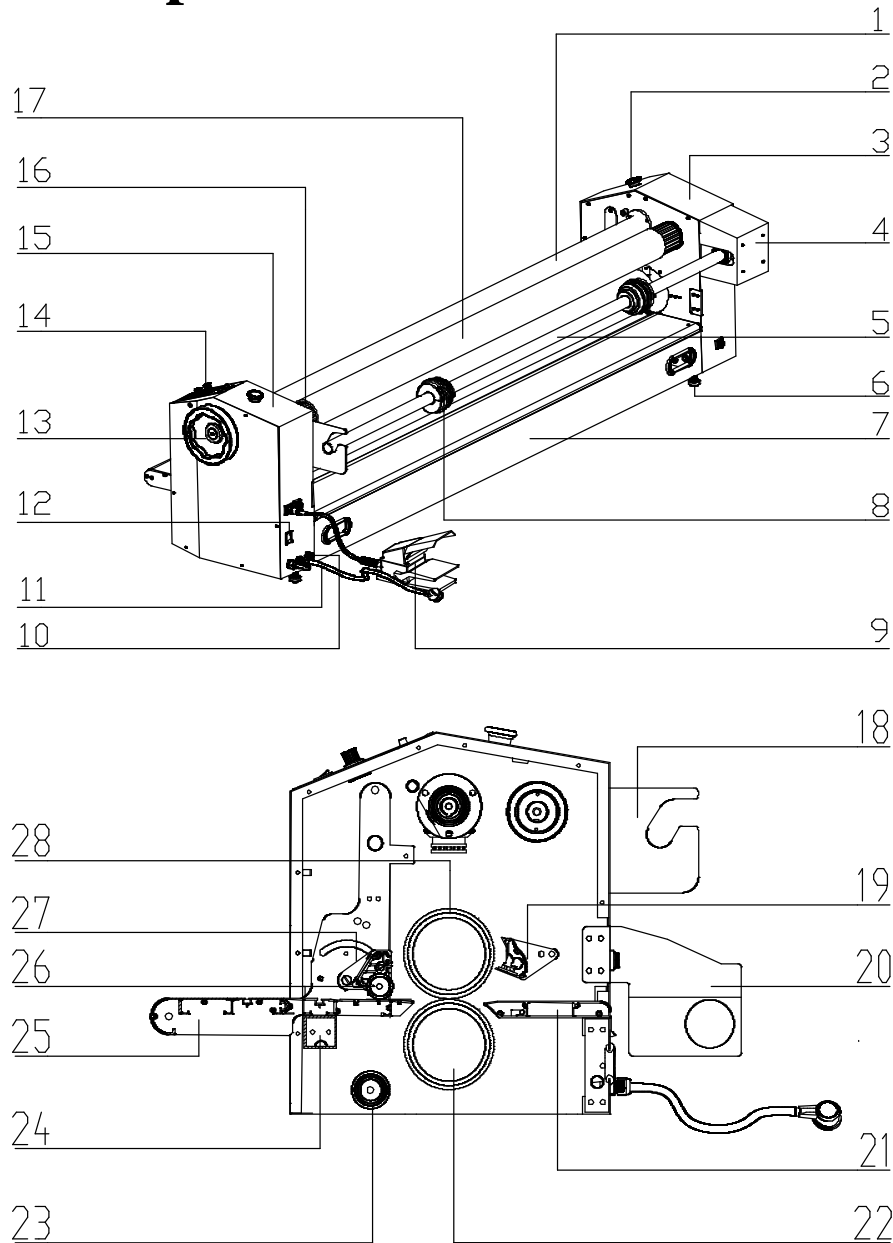
## 5. Operating Conditions

- Place machine on level surface
- Environment requirements :  
Ambient temperature: 50° F - 104° F  
Humidity : 30%—80% ; ideal humidity : 55%
- Due to the static on film rolls, you should try to keep the environment clean.
- Provide enough space around machine to ensure the safe and effective operation.  
The minimum area covered is 8 ft. x 10 ft.
- Do not directly cut the films on the surfaces of the rubber rollers to avoid damages to the rollers.
- Do not put burrs, sharp knives or extra thick and hard materials in between the rollers. Do not leave objects like tools, rulers, knives, etc on the working panels or the side cabinets to avoid their being rolled into the machine accidentally and damaging the rollers.
- For repairs and replacements, please contact your local distributor. Unauthorized repairs and dismantling will affect future maintenances of the machines.
- The machine can laminate continuously objects less than ½” thick.  
For objects over ½” but less than 1” thick, use the pedal switch.
- Operator should be present while machine is in operation



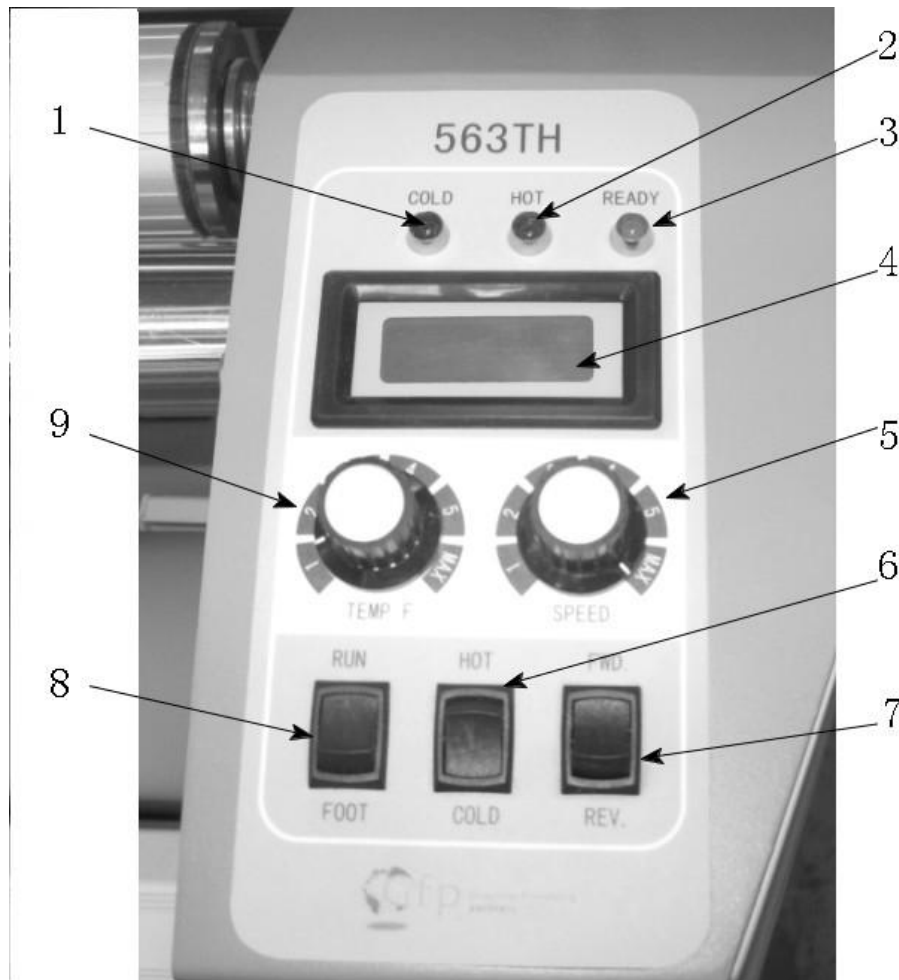
***Warning: Do not keep the machines in direct sunshine or near it.  
Do not keep the machine in dusty place or places with strong vibrations.***

## 6. System Components



- |                             |                                |                              |
|-----------------------------|--------------------------------|------------------------------|
| 1. Linkage Axle             | 11. Power cord                 | 21. Exit table               |
| 2. Emergency Stop switch    | 12. Main power switch          | 22. Bottom nip roller        |
| 3. Left cabinet             | 13. Roller gap hand-wheel      | 23. Support crossbar         |
| 4. Assembly cover           | 14. Control panel              | 24. Cross member             |
| 5. Top Supply mandrel       | 15. Right cabinet              | 25. In-feed table            |
| 6. Leveling foot            | 16. Rewind tube                | 26. Pressing roller          |
| 7. Rear supporting beam     | 17. Cardboard tube             | 27. Nip roller safety shield |
| 8. Film core adaptor/ brake | 18. Top supply mandrel bracket | 28. Top heat roller          |
| 9. Foot pedal               | 19. Temperature sensor         |                              |
| 10. Fuse                    | 20. Rear rewind assembly       |                              |

## 7. Control Panel



- |                               |                                     |
|-------------------------------|-------------------------------------|
| 1. Cold laminating indicator  | 6. Hot / Cold heater switch         |
| 2. Hot laminating indicator   | 7. Forward / Reverse switch         |
| 3. Ready light indicator      | 8. Continuous/ foot pedal operation |
| 4. Temperature display screen | 9. Temperature adjustment           |
| 5. Speed adjustment           |                                     |

### Note:

1. The machine does not have continuous reverse. Reverse can only operate using the pedal switch
2. If the photo-electric eye stops the machine, move operation switch to “Step” then back to “continuous” operation.



## 8. Packing List

Remove all parts from shipping create and boxes. Inspect parts and the machine carefully. Any missing parts should be reported to the shipper upon receipt of shipment.

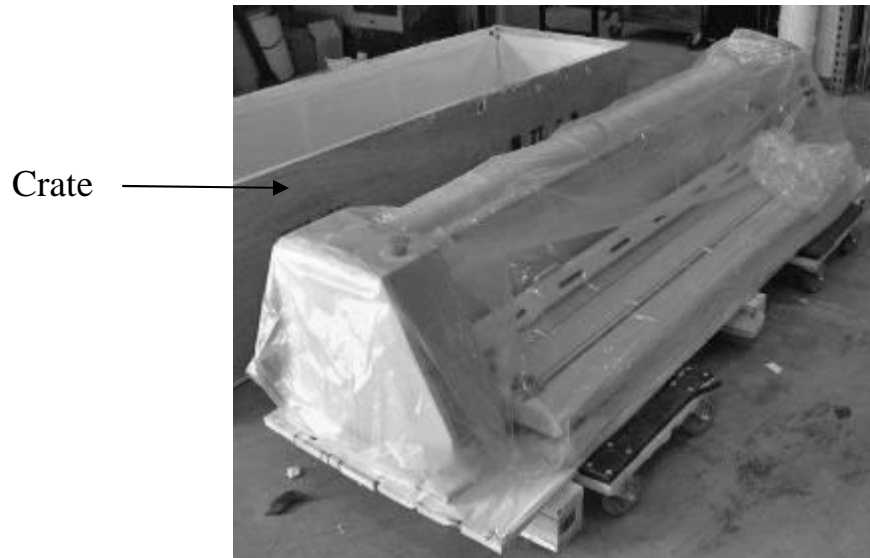
<b>Main Machine Crate</b>		<b>Stand Box</b>	
<b>Part</b>	<b>Quantity</b>	<b>Part</b>	<b>Quantity</b>
Main Machine	1	Cross beams	2
Swing out shaft assembly	1	Middle beam	1
Rewind tube	1	Left side stand	1
Foot Pedal	1	Right side stand	1
Heat tube	1	8 x100 hex screw	8
Media support brackets	3	#8 flat washer	14
Leveling Feet	4	#8 spring spacer	14
Stand anchor bolts (M10)	4	Alignment bracket	2
Allen wrench 5mm	1	5 x 12 hex screw	4
Film cutter	1	# 5 flat washer	4
Operation manual	1	# 5 spring spacer	4
8 x 20 hex screw	6	Anchor bolts (M8)	2
# 8 flat washer	6	#8 Nut	2
# 8 spring spacer	6	Allen wrench 4mm	1
		Allen wrench 6mm	1



## 9. Installation

### 9 A. Uncrate the machine

1. Remove screws around the base of the crate including corner supports
2. Lift crate straight up and off the skid



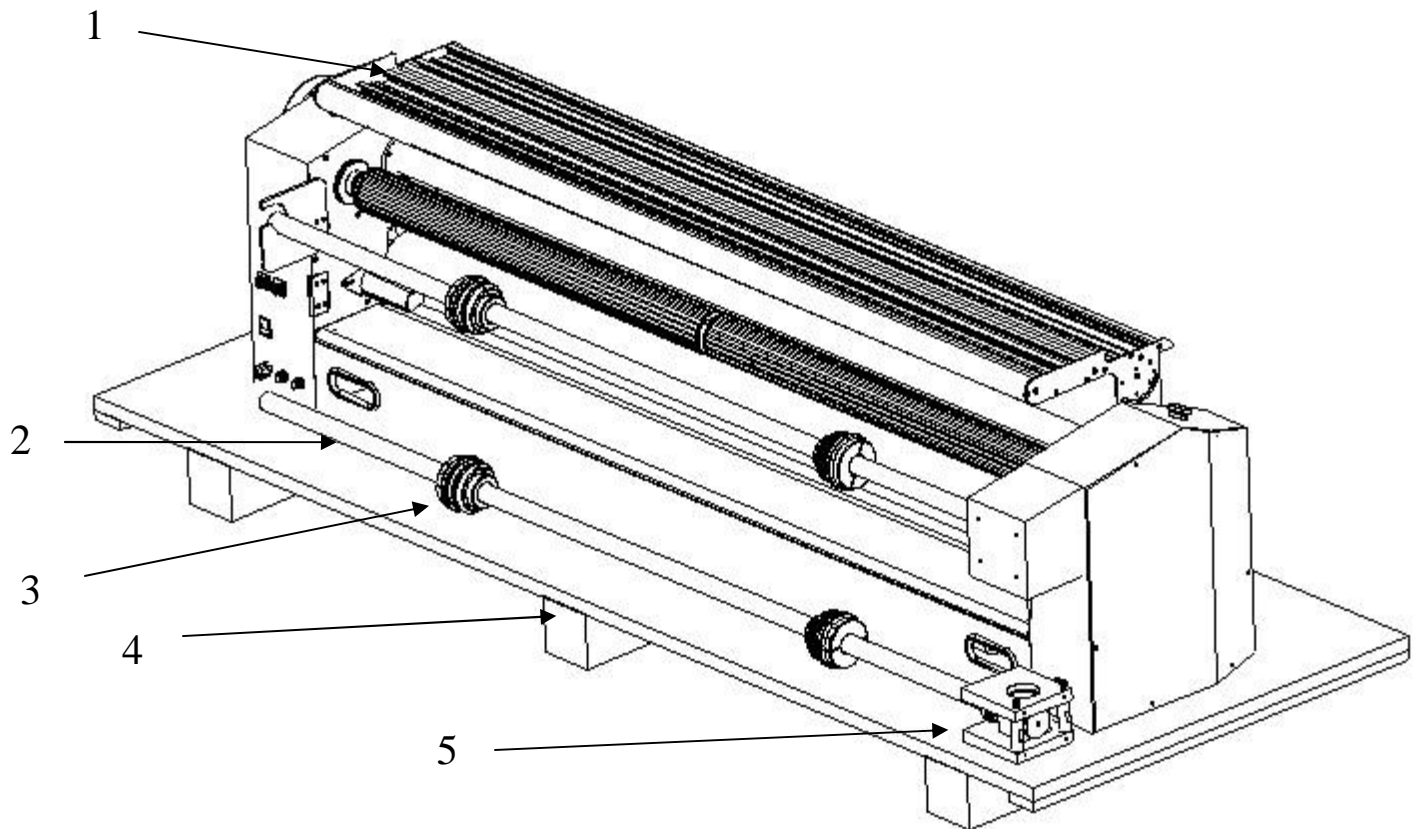
### 9 B. Remove Heat tube package from inside crate top

3. Remove nuts on heater support brackets that hold the cardboard tube to the inside of the crate and remove the heater package



### 9 C. Remove machine from skid

1. Remove plastic cover and accessory box.
2. Raise the In-feed table (# 1) and lock in place
3. Remove rewind tube by pushing toward the spring side
4. Remove supply shaft (# 2) from the crate base by loosening the hex bolts on core adapters and sliding to one side



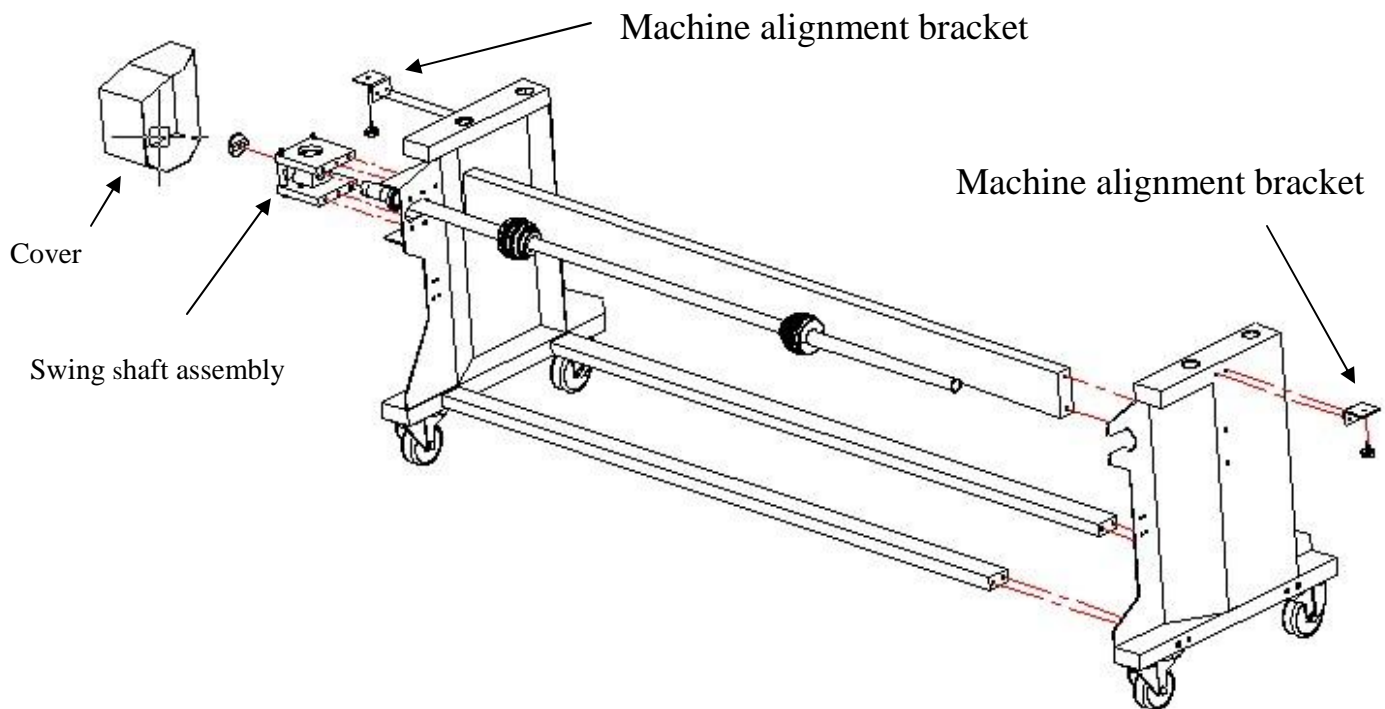
- |  |
|--|
| <ol style="list-style-type: none"><li>1. In feed table</li><li>2. Top Supply mandrel</li><li>3. Film core adaptor/ brake</li><li>4 Shipping skid</li><li>5. Swing out shaft assembly</li></ol> |
|--|

## 9 D. Assemble machine stand

1. Remove stand from shipping box
2. Bolt cross members to stand side frame
3. Larger cross member goes in the center and takes the shorter bolts
4. Use a flat washer and lock washer – Flat washer contacts the stand.

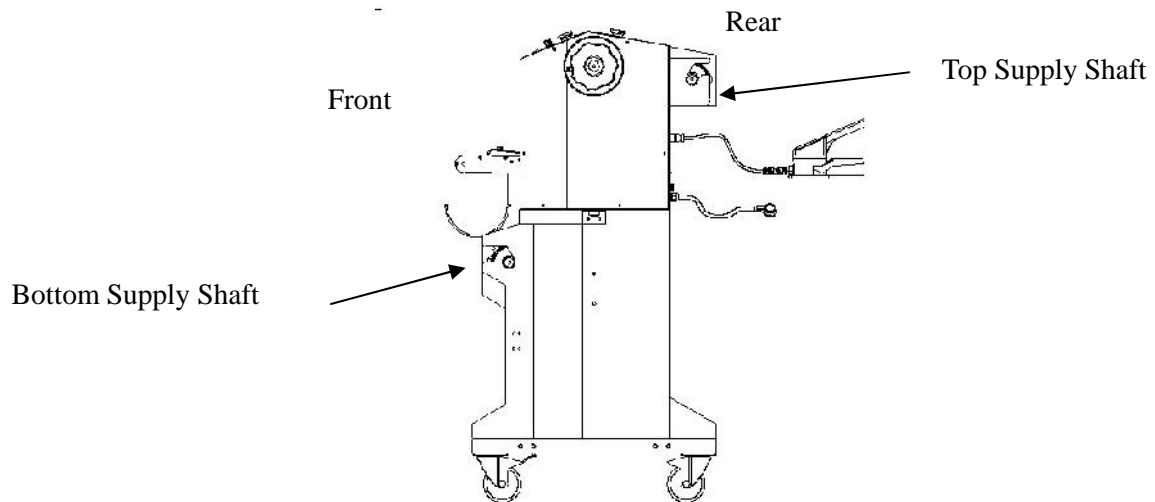


5. Remove brake assembly, thread shaft through opening in stand
6. Bolt swing shaft assembly to stand with 6 bolts
7. Bolt cover to swing shaft assembly
8. Bolt machine alignment brackets to the outside of machine stand



## 9 E. Set machine on stand

1. Remove machine from the bottom supports of the packing box
2. Lift machine onto support stand
3. Note Bottom Supply Shaft on stand goes to the Front of the machine



***Heavy! Handle with care!!***

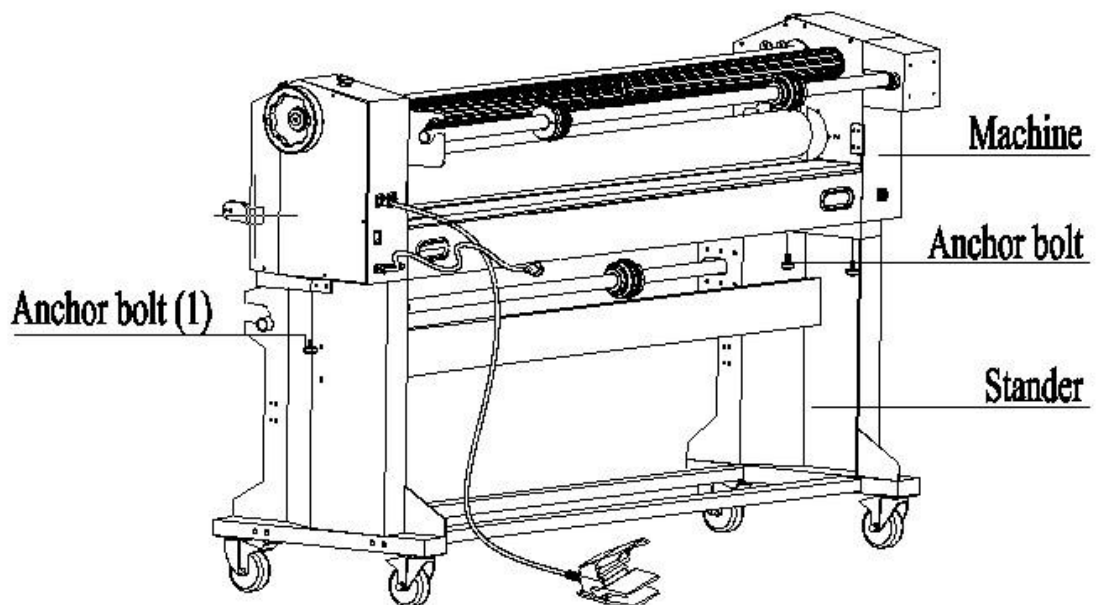
***Warning: when moving the machine, you should have your hands holding on the upper supporting beam and the rear supporting beam. Do not use roller gap adjustment hand-wheel for lifting!***

## 9 F. Align machine to stand

1. Insert one alignment anchor bolt through the bracket on the outside of the stand into bottom on each side of the machine



2. Insert four (4) anchor bolts through the stand into the bottom of machine

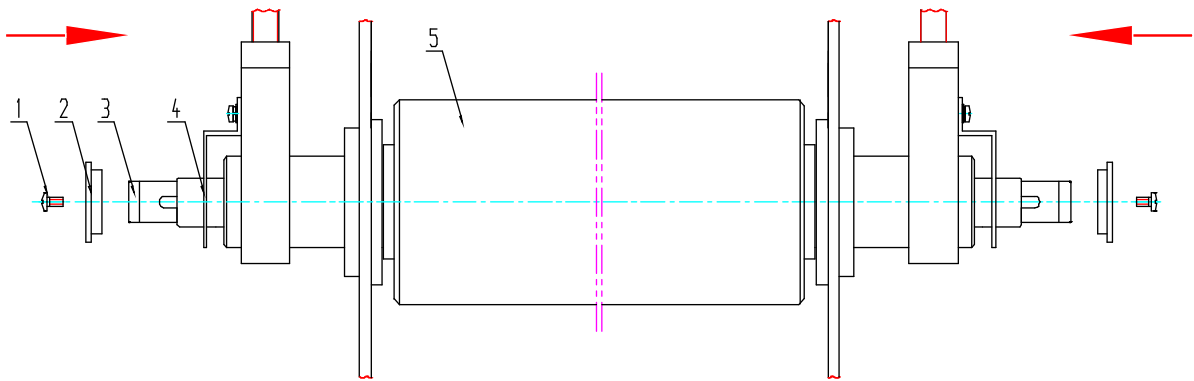


## 10. Installing Heat Tube

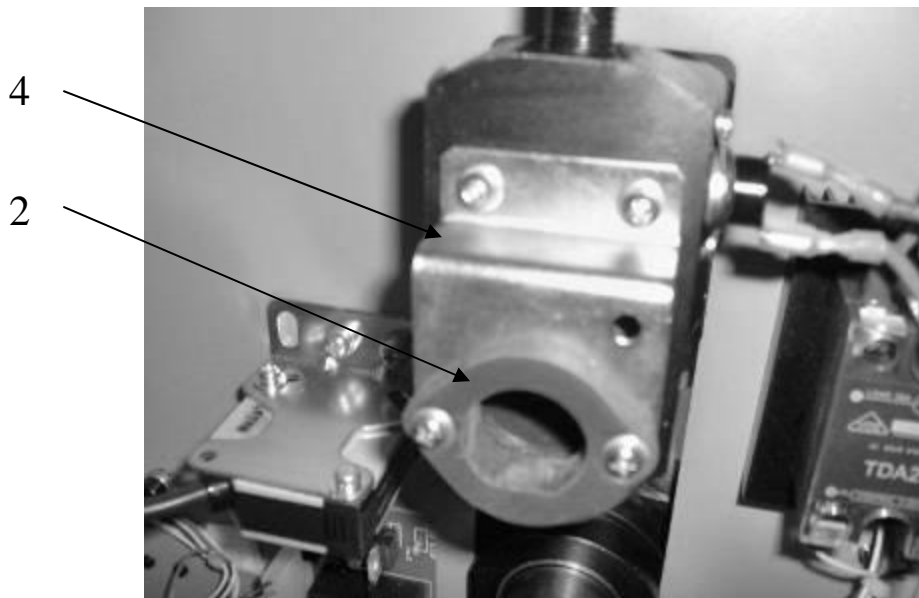
**Warning: Do not attempt this with the power on!**

### 10 A. Insert Heat tube

1. Remove gap Hand wheel from right side cover
2. Remove the right and left cabinet covers.
3. Remove left and right heater support brackets
4. Insert heat tube through the core of the roller, aligning Ends with the flat spot in the supports
5. Replace left and right heater support brackets



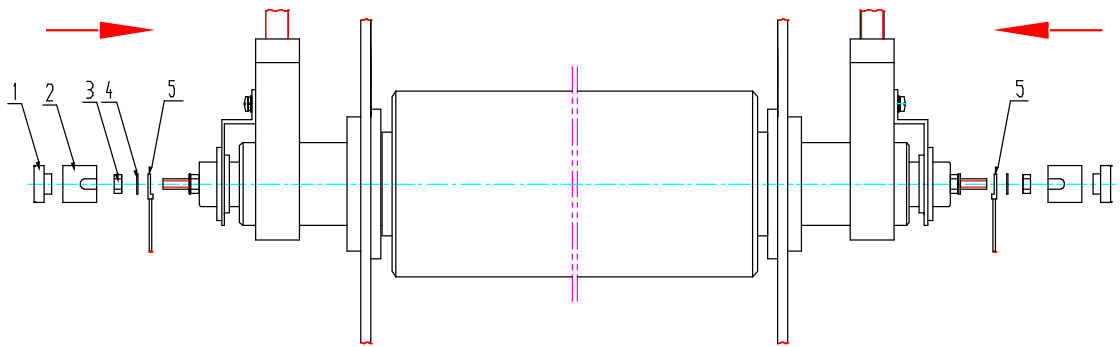
1. Screw 2. Rubber cushion 3. Heat tube 4. Support Bracket 5. Roller





## 10 B. Connect electric wires

1. With the tube in place, remove the porcelain inserter, porcelain tube, hex nut and flat washer from both ends
2. Connect the two ends to the electric wire connectors.
3. Replace flat washer, hex nut, porcelain tube and porcelain inserter
4. Replace side covers and gap wheel



1. Porcelain insert 2. Porcelain cap 3. Hex nut 4. Flat washer 5. Electric wire connector

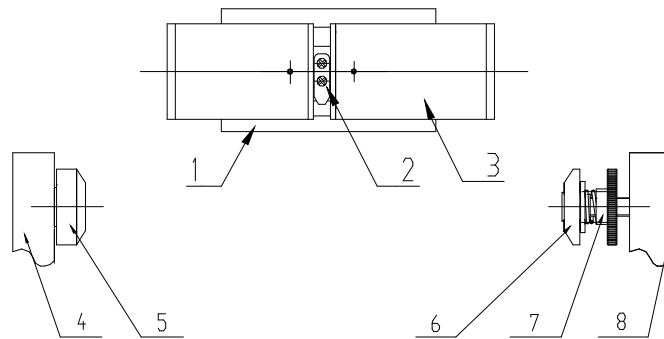




## 11. Installing Take up reel

1. Loosen the pressure-adjusting nut near the right cabinet, and the rewind tube can then be removed from the machine
2. Slide a paper tube onto the rewind tube by rotating away from the core stop clip
3. Install the rewind tube onto the positioning sleeves with the core stop clip pointing away from the Nip Rollers or toward rear of the machine with core stop clip positioned on top of the rewind tube. (Note: Pay attention to the direction of the core stop clip, or the application will be affected.)
4. The rewind tube is driven by friction. The friction and tension will be increased with a left turn of the pressure-adjusting nut, and a right turn will decrease them.

**Note: Adjust the rewind tube pressure-adjustment nut to allow the backing paper to be removed and the film to enter the rollers evenly**



1. Paper tube 2. Core Stop clip 3. Rewind Tube 4. Left side cabinet  
5. Positioning sleeve 6. Positioning sleeve 7. Pressure-adjusting nut 8. Right side cabinet

## 12. Additional Installation items

1. Plug foot pedal into front panel below controls
2. Check drive chains for tightness
3. Check all drive set screws for tightness
4. Check all electrical connections and input power and test for proper operation

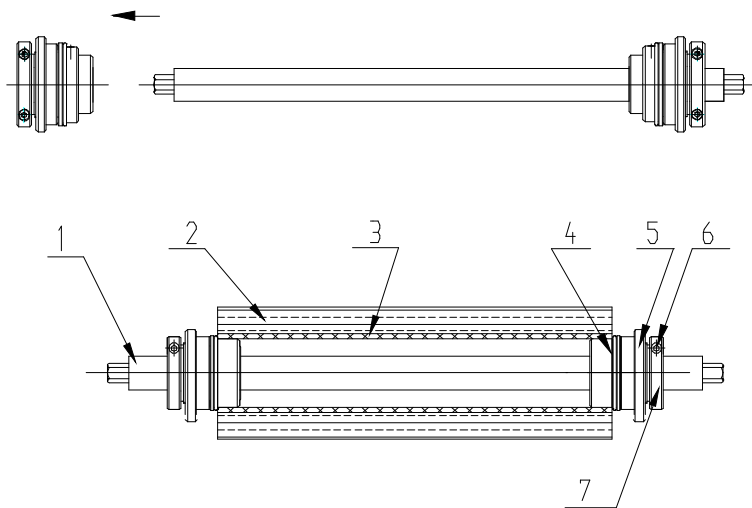
## 13. Removing Press Roller assembly

1. Unscrew knurled thumb screw securing left side of Press roller assembly
2. Lift off and remove Press Roller assembly



## 14. Loading Film

1. Loosen the fastening screws on the film core adaptor on one side of the supply shaft, and slide off the supply shaft.
2. Slide the film rolls onto the supply shaft
3. Return the film core adaptor to the supply shaft
4. Position the film in the middle of the supply shaft and measure the distance from one side of the film core adaptor to the side frame
5. Fasten the screws for film core adaptor (Note: there should be 1/8" clearance between the positioning and the adjusting sleeves of the film core adaptor to make brake adjustment easier),
6. Adjust the brake tension by turning the adjusting sleeve (Note: the brake tension should not prevent roll from turning)
7. Repeat process with bottom Mounting adhesive or backing paper roll
8. Position bottom roll same distance from side frame as the top supply roll

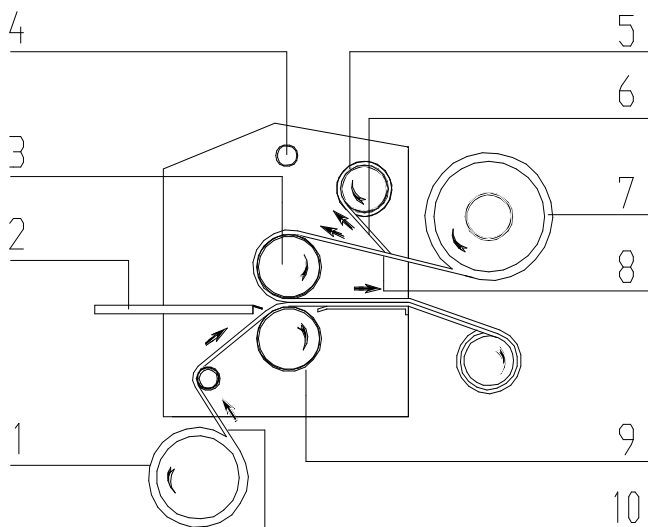


1. Axles of the supply shaft
2. Cold laminating film (lining paper)
3. Film Core
4. Positioning sleeve
5. Adjusting sleeve
6. Fastening screws for the film core adaptor
7. Film core adaptor

## 15. Threading Film

1. Place cold film roll on top supply shaft and mounting adhesive roll on bottom. ( See “Loading film” section 12)
2. Pull the film with the paper liner by hand, making sure there is proper resistance. The resistance can be adjusted with the adjusting sleeves near the core chucks on each side of the supply shaft
3. Turn the pressure-adjusting hand-wheel to lift up the upper rubber roller.
4. Pass the film through the two rollers and lay on the rear working panel. Pull the film flat then turn the pressure-adjusting hand-wheel to let down the upper rubber roller.
5. Separate the paper liner from the film web at an appropriate place, pull up the liner and tape it to the paper tube on the top rewind tube  
**NOTE: Slide film cutter between the paper liner and film to cut liner only. Be careful not to cut the top heat roller**
6. Use foot pedal to advance the film web until the adhesive is exposed on the front of the heat roller
7. Raise the feed tray assembly
8. Bring the mounting adhesive web up in front of the idler roller and tack to the exposed film web adhesive
9. Lower the feed tray assembly
10. Use foot pedal to advance both webs until cleared of the nip rollers

**Note: The film should be wrinkleless and tight to the surface of the heat roller. If the film is not tight enough, turn increase the roller pressure. If wrinkles appear in the film web, adjust the brake tension on both sides of the film roll**



1. Bottom supply roll
2. Front working table
3. Top heat roller
4. Linkage shaft for roller pressure-adjustment
5. Liner rewind tube
6. Paper liner
7. PSA film roll
8. Film supply web
9. Bottom nip roller
10. Bottom supply web

## 16. Operation

1. Plug power cord into a proper receptacle



- Connect the attachment plug provided with the laminator to a suitably grounded outlet only. This machine must have reliable earth wire to ensure the safety of the machine during operations
  - Contact an electrician should the attachment plug provided with the laminator not match the receptacles at your location
  - Ensure that the voltages of the power supply you are using match the rated working voltages before operations. Do not use incorrect power supply
  - Do not use damaged wires or sockets. If abnormal conditions occur, switch off the power supply first.
2. Turn power to “ON” with the rear power switch
  3. **Cold laminating:** When doing cold laminating, turn the switch to ‘Cold’
  4. **Hot Laminating:** Turn switch to “Hot” and set the needed temperature
  5. When the indicator light is on the rollers are up to temperature  
**NOTE: The temperature should meet the material to be laminated. If too high, the quality will be affected**
  6. The indicated temperature shows the surface temperature of the rollers. The temperature switch points to the set position. Actual temperature is shown on the LCD readout. The LCD does not work with the machine is in the “Cold” operating condition.

## 17. Roller Gap

- When the pressure-adjusting hand-wheel is turned clockwise, the top rubber roller comes down and the pressure will increase
- With a counter-clock turn, the top rubber roller goes up and the pressure will decrease.
- Too much nip pressure will wrinkle the output. Bring the nip roller down to just touch the film, then increase 1/8 turn.
- NOTE: The Gfp 55” model requires less nip pressure than the 63”. When using the 55”, bring the rollers down only to touch the film together. Do not increase the hand wheel the 1/8 turn.

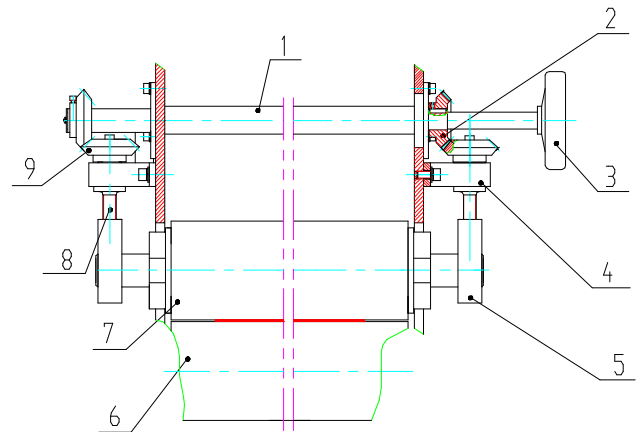
## 18. Roller Gap Adjustment

### Check for uneven roller gap

- Place a sheet of paper between the rollers the full width of the laminator
- Turn the pressure-adjusting hand-wheel to lower the upper rubber roller
- Apply some pressure so the two rollers just touch
- Check to see if the space in between the rubber rollers is even across the machine

If the space is not even:

1. Open the left and the right cabinet covers;
2. Check whether the left and right pressure-adjusting brackets are loose. If loose, tighten brackets and then replace cabinet covers
3. Check whether the longitudinal taper gears on the two sides are loose. If they are loose, take apart the left transverse taper gear and then remove the screws of pressure-adjusting brackets, then tilt the longitudinal taper gear, and tighten the screws on the top of the gear
4. Remove the left transverse taper gear, turn the longitudinal taper gear until the space of the two sides of rubber rollers becomes even.
5. Tighten the screws of each component and replace the side covers



1. Linkage Axis 2. Transverse Taper Gear 3. Pressure-Adjusting Hand-wheel  
 4. Pressure-Adjusting Bracket 5. Pressure-Adjusting Blocks 6. Lower rubber Roller  
 7. Upper rubber Roller 8. Pressure-Adjusting Orientation Axis 9. Longitudinal Taper Gear

## 19. Optional Rewind

One or two sets of Rewind devices can be added to the machine as required. One can be fixed in the rear of the machine for rewinding finished material, and another on the front of the stand to take up backing paper from the bottom roll of cold film when doing double-side cold lamination.

Installing the Rewind device:

1. Remove 4 screws and inserts bolted inside each side frame
2. Bolt rewind motor assembly to control side frame and rewind bracket to opposite side frame where the inserts were located
3. Place rewind tube onto the brackets.
4. Plug rewind motor into side frame plug outlet

Operating rewind motor:

1. Select “Combine”, rewind will match the speed of the laminator
2. Select “Single”, rewind runs independent of laminator
3. Adjust speed of rewind with rewind speed control
4. Select “Forward” rewind motor turns clockwise
5. Select “Reverse” rewind motor turns counter-clockwise



## 20. Troubleshooting

Problems	Causes	Solutions
Machine does not turn on	<ol style="list-style-type: none"> <li>1. No power supply</li> <li>2. Main power switch is OFF</li> <li>3. Circuit breaker has tripped</li> <li>4. Blown main power fuse</li> <li>5. Motor has failed</li> </ol>	<ol style="list-style-type: none"> <li>1. Plug in power cord</li> <li>2. Place power switch to ON</li> <li>3. Reset circuit breaker</li> <li>4. Replace fuse on rear panel</li> <li>5. Change the electric motor</li> </ol>
Rollers do not turn after "Run" button is pressed	<ol style="list-style-type: none"> <li>1. Emergency switch is engaged</li> <li>2. Excess roller nip pressure</li> </ol>	<ol style="list-style-type: none"> <li>1. Disengage emergency switch</li> <li>2. Reduce the nip pressure of the rubber rollers</li> </ol>
Heat roller not heating	<ol style="list-style-type: none"> <li>1. Heater not set</li> </ol>	<ol style="list-style-type: none"> <li>1. Switch heater on, adjust temperature setting knob</li> </ol>
Poor film adhesion or cloudy prints	<ol style="list-style-type: none"> <li>1. Nip roller pressure to low.</li> <li>2. Dust on the surface of the print</li> </ol>	<ol style="list-style-type: none"> <li>1. Increase nip roller pressure</li> <li>2. Clean print surface before lamination</li> </ol>
Poor film adhesion on one side	<ol style="list-style-type: none"> <li>1. Nip roller pressure on the two sides is not even</li> </ol>	<ol style="list-style-type: none"> <li>1. See "Roller gap adjustment"</li> </ol>
Lamination output is curled	<ol style="list-style-type: none"> <li>1. Sheet is curled upward</li> <li>2. Sheet is curled downward</li> </ol>	<ol style="list-style-type: none"> <li>1. Reduce top roll tension</li> <li>2. Reduce bottom roll tension</li> </ol>
Film supply roll gets loose during operation	<ol style="list-style-type: none"> <li>1. Not enough brake tension on supply roll</li> </ol>	<ol style="list-style-type: none"> <li>1. Increase brake tension on supply roll</li> </ol>
Backing paper gets loose when being rolled up	<ol style="list-style-type: none"> <li>1. Not enough brake tension on the backing paper rewind roller</li> </ol>	<ol style="list-style-type: none"> <li>1. Increase brake tension on backing paper rewind roller</li> </ol>
Wrinkles in film both on top and bottom	<ol style="list-style-type: none"> <li>1. Too much nip roller pressure</li> </ol>	<ol style="list-style-type: none"> <li>1. Reduce nip pressure with hand wheel</li> </ol>



## 21. Specifications

Description	563 TH
Laminating Width	63"
Roller Diameter	4.5"
Roller Gap	1"
Max Temperature	140° F
Film core size	3"
Laminating Speed	0-20 Ft/min
Pressure Adjustment	Hand wheel
Heat Method	Quartz tube
Power Supply	110 v 15 amp
Power Consumption	1400 W
Net weight	503 lbs
Output height	36"
Dimensions	82 x 28.5 x 50"
Shipping weight Machine	530 lbs
Shipping weight stand	140 lbs
Shipping dimensions machine	89.4 x 33 x 29"
Shipping dimensions stand	75 x 33 x 5.8"



## 22. Warranty

### EQUIPMENT WARRANTY

January 2014

Graphic Finishing Partners, LLC warrants each new Gfp Laminator is free from defects in material and workmanship for a period of one (1) year from the date of installation. A machine which proves defective in materials or workmanship within the warranty period will be repaired or, at Gfp's option, replaced without charge. This warranty is extended only to the original purchaser.

This warranty is the only warranty made by Gfp and cannot be modified or amended. Gfp's sole and exclusive liability and the customer's sole and exclusive remedy under this warranty shall be, at Gfp's option, to repair or replace any such defective part or product. These remedies are only available if Gfp's examination of the product discloses to Gfp's satisfaction that such defects actually exist and were not caused by misuse, neglect, attempt to repair, unauthorized alteration or modification, incorrect line voltage, fire, accident, flood or other hazard.

The warranty made herein is in lieu of all other warranties, expressed or implied, including any warranty or merchantability or fitness for a particular purpose. Gfp will not be liable for personal damage or personal injury (unless primarily caused by its negligence), loss of profit, or other incidental or consequential damages arising out of the use or inability to use this equipment.

This warranty specifically does not cover damage to laminating rollers caused by knives, razor blades, or any sharp objects or abrasives, or failure caused by adhesives, or damage caused by lifting, tilting and/or any attempt to position the machine other than rolling on the installed castors or feet on even surfaces, or improper use of the machine. Warranty repair or replacement by Gfp or its authorized reseller(s) does not extend the warranty beyond the initial period from the date of installation. Unauthorized customer alterations will void this warranty.

#### **Contact Information**

**CORRESPONDENCE:**  
Graphic Finishing Partners LLC  
PO Box 1097  
Maryland Heights, MO. 63043  
800-986-2005  
[sales@gfpartnersllc.com](mailto:sales@gfpartnersllc.com)  
[www.gfpartnersllc.com](http://www.gfpartnersllc.com)

**SHIPPING:**  
Graphic Finishing Partners, LLC  
13878 Parks Steed Drive  
Earth City, MO. 63045