



OPERATING MANUAL Gfp 230 C

Please read this manual carefully before operating!



**Unpacking, assembly, and operating videos are available at
www.gfpsmoothstart.com**

Table of Contents

Contents	Page
1. Introduction	3
2. Important Safety Instructions.....	3
3. Installation Safeguards	4
4. General Safeguards.....	5
5. Operating Conditions	6
6. System Components	7
7. Control Panel	8
8. Packing List	9
9. Installation	
A. Uncrate the machine.....	10
B. Remove cross members and machine from Skid.....	11
C. Assemble machine stand.....	12
D. Set Machine on stand.....	12
E. Attach supply support brackets.....	13
10. Additional installation items	14
11. Loading bottom Media or Kraft Paper rolls	14
12. Installing take up reel.....	15
13. Loading Film.....	16
14. Threading Film	17
15. Operation	18
16. Roller Gap.....	18
17. Laminating	
A. Single sheets using a sled.....	19
B. Multiple sheets using a roll of Kraft Paper.....	20
C. Media from a roll.....	20
18. Mounting	
A. Pre-coating mounting boards.....	21
B. Mounting print to pre-coated mounting boards.....	21
19. Troubleshooting	22
20. Specifications	23
21. Warranty	24

1. Introduction

Thank you for choosing a Gfp laminator. It has been designed and manufactured to provide years of continuous service. Please read this manual thoroughly before operating. Please inspect the box and the laminator for shipping damage. Damage should be brought to the attention of the delivering carrier immediately. For a list of shipping components see “Packing List” on page 9.

2. Important Safety Instructions



In this operating manual you will find important safety messages regarding the product. Read these instructions carefully, failure to comply with the following safety procedures could result in serious injury.



WARNING Do not attempt to service or repair the laminator. Only authorized maintenance and service technicians should make repairs.



WARNING Do not connect the laminator to an electrical supply or attempt to operate the laminator until you have completely read these instructions. Maintain these instructions in a convenient location for future reference.



WARNING To guard against injury, the following safety precautions must be observed in the installation and use of the laminator

3. Installation Safeguards

- Shipping damage should be brought to the immediate attention of the delivering carrier
- Avoid locating the laminator near sources of heat or cold. Avoid locating the laminator in the direct path of forced, heated or cooled air
- The receptacle must be located near the equipment and easily accessible.



- Connect the attachment plug provided with the laminator to a suitably grounded outlet only. This machine must have reliable earth wire to ensure the safety of the machine during operations
- Contact an electrician should the attachment plug provided with the laminator not match the receptacles at your location



- Ensure that the voltages of the power supply you are using match the rated working voltages before operations. Do not use incorrect power supply



- Do not use damaged wires or sockets. If abnormal conditions occur, switch off the power supply first.




- Only a licensed electrician should install wiring and outlet for the laminator
- Do not defeat or remove electrical and mechanical safety equipment such as interlocks, shields and guards


4. General Safeguards

- Keep hands, long hair, loose clothing, and articles such as neckties away from rollers to avoid entanglement and entrapment. The rollers have pinch points that can trap body parts or clothing and cause serious injury
- Do not use the machines for purposes other than lamination and mounting, otherwise damages to the machine or accidents may occur
- Keep out of reach of children
- Keep flammable and wet objects away from the machine.
- Do not use flammable sprays or materials when cleaning the machine
- Do not leave the machine unattended during operations.
- Do not mount metal materials or other hard objects.
- Do not put burrs, sharp blade or rigid materials in between the two rubber rollers.
- Do not attempt to laminate items that exceed total recommended material thickness of the unit.
- Do not place foreign object inside the machine.
- Do not cut adhesive films directly on the surface of the rollers to avoid damaging the rubber coating.
- Shut down the machine after laminating to avoid misusing this machine by others.
- Shut down the power before moving the machine
- Note the locations of foot wheels while moving or operating this machine to avoid injuries to your feet.



-  Disconnect from the power supply before repair or maintenance.



-  Disconnect from the power supply when the machine is not in use for a long time.
- When the machine lies idle for a long period of time, raise the top rubber roller to avoid the distortion of the rubber surface.
- Perform only the routine maintenance procedures referred to in these instructions

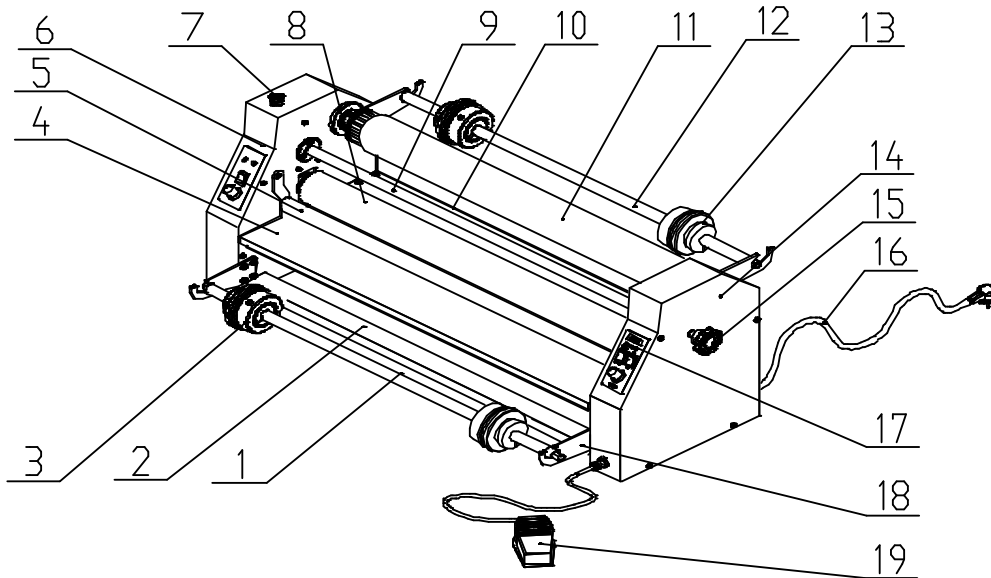
5. Operating Conditions

- Place machine on level surface
- Environment requirements :
Ambient temperature: 50° F - 104° F
Humidity : 30%—80% ; ideal humidity : 55%
- Due to the static on film rolls, you should try to keep the environment clean.
- Provide enough space around machine to ensure the safe and effective operation.
The minimum area covered is 8 ft. x 10 ft.
- Do not directly cut the films on the surfaces of the rubber rollers to avoid damages to the rollers.
- Do not put burrs, sharp knives or extra thick and hard materials in between the rollers. Do not leave objects like tools, rulers, knives, etc on the working panels or the side cabinets to avoid their being rolled into the machine accidentally and damaging the rollers.
- For repairs and replacements, please contact your local distributor. Unauthorized repairs and dismantling will affect future maintenances of the machines.
- The machine can laminate continuously objects less than 1/2" thick.
For objects over 1/2" but less than 1" thick, use the pedal switch.



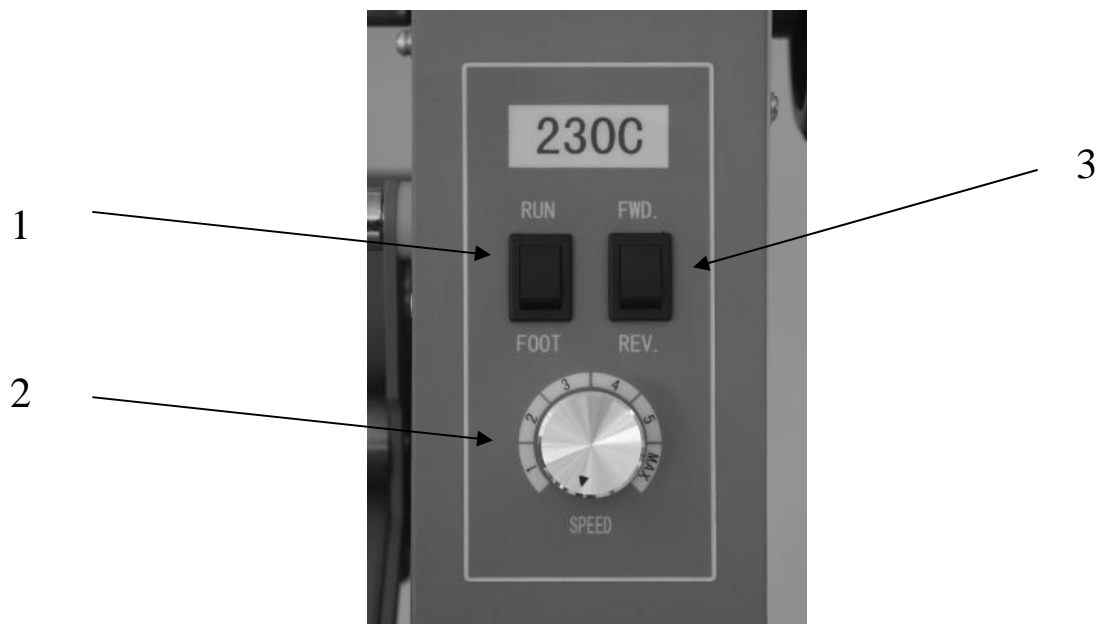
***Warning: Do not keep the machines in direct sunshine or near it.
Do not keep the machine in dusty place or places with strong vibrations.***

6. System Components



- | | |
|----------------------------------|-----------------------------------|
| 1. Bottom supply shaft | 11. Liner rewind |
| 2. Front Support beam | 12. Top Film supply shaft |
| 3. Brake assembly | 13. Brake assembly |
| 4. Feed tray | 14. Right side frame |
| 5. Nip safety guard | 15. Roller pressure adjustment |
| 6. Left side frame | 16. Power cord |
| 7. Emergency stop switch | 17. Control panel |
| 8. Top nip roller | 18. Bottom roller support bracket |
| 9. Roller pressure linkage shaft | 19. Foot switch |
| 10. Rear exit deck | |

7. Control Panel



1. Run/ foot pedal switch 2. Speed Adjustment 3. Forward/ reverse switch

**Note: The machine does not have continuous reverse.
Reverse can only operate using the pedal switch**

8.Packing List

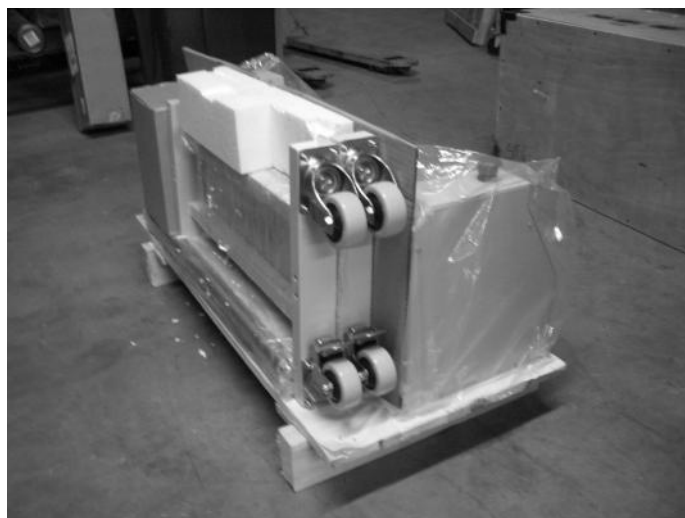
Remove all parts from shipping create and boxes. Inspect parts and the machine carefully. Any missing parts should be reported to the shipper upon receipt of shipment.

Main Machine Crate			
Part	Quantity	Part	Quantity
Main Machine	1	Hex Screw 8mm x 80	8
Rewind tube	1	Hex Screw 5mm x 12	16
Support brackets for shafts	4	Plain washer #8	8
Supply shafts	2	Plain washer #5	16
Brake assembly	4	Lock washer #8	8
Stand legs	2	Lock washer #5	16
Stand cross members	2	Zippy knife	1
Allen wrench 6mm	1	Foot switch	1
Allen wrench 5mm	1	Operators manual	1
Allen wrench 4mm	1		
Allen wrench 3mm	1		

9. Installation

A. Uncrate the machine

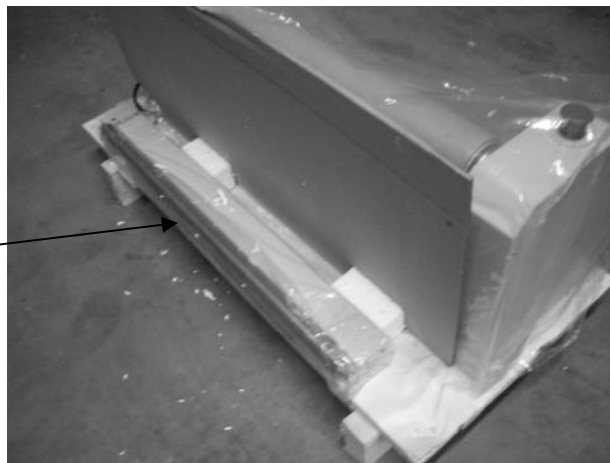
1. Remove screws around the base of the crate including corner supports
2. Lift crate straight up and off the skid
3. Stand legs are inside behind the machine



9. B. Remove cross members and machine from skid

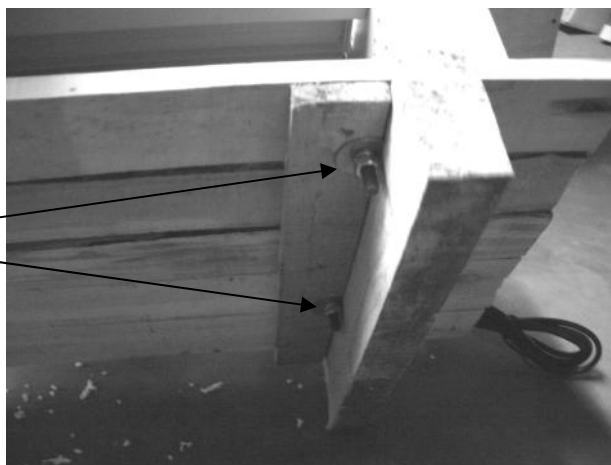
1. Remove plastic cover and accessory box.
2. Remove supply shafts and stand cross members from the crate base by loosening the screws and hold down straps

Supply shafts
Stand cross members



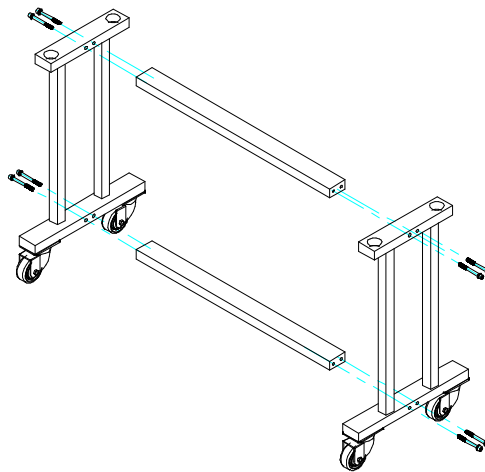
3. Remove four (4) anchor bolts holding machine to shipping skid

Anchor bolts



9. C. Assemble machine stand

1. Bolt cross members to stand legs using 8- 8mm x80 screws
2. Each screw takes a flat washer and lock washer – Flat washer against the stand.
3. Start all screws by hand before tightening



9. D. Set machine on stand

1. Remove machine from the bottom supports of the shipping crate
2. Lift machine onto support stand

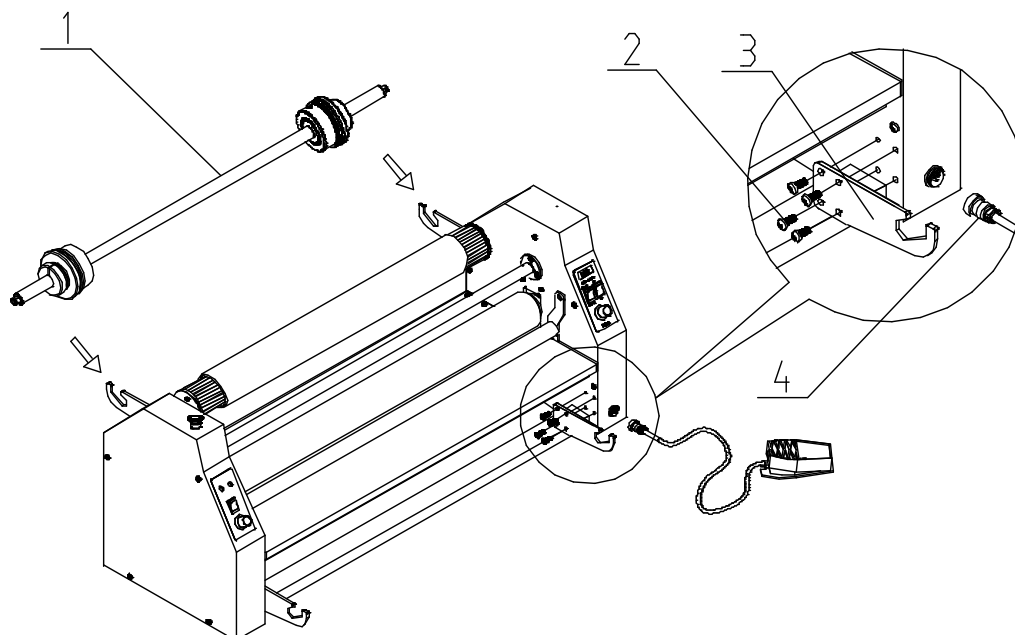


Heavy! Handle with care!!

Warning: when moving the machine, lift by side frames. Do not use roller gap adjustment hand-wheel for lifting!

9 E. Attach bottom supply brackets and insert supply shaft

1. Attach Top and Bottom supply brackets to each side frame using 16- 5mm x12 screws
2. Slide brakes on round supply shafts
3. Insert supply shafts onto top and bottom supply brackets



1. Upper supply shaft
2. 5mm x12 hex screws

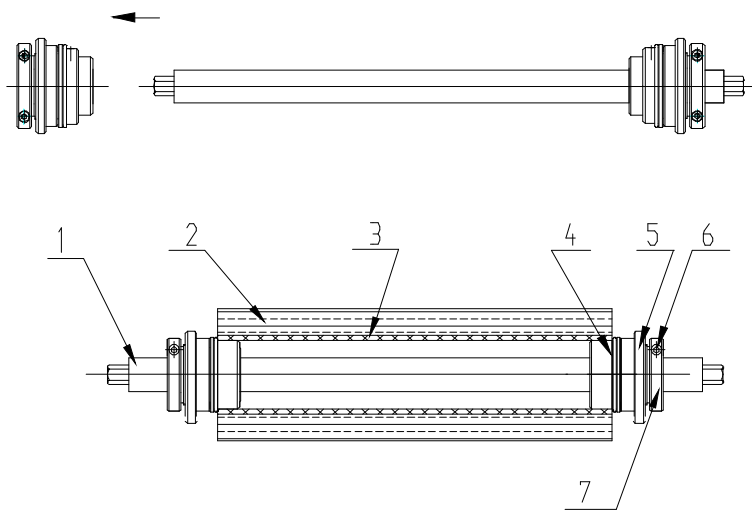
3. Supply shaft bracket
4. Foot switch

10. Additional Installation items

1. Plug foot pedal into rear panel near power cord
2. Check drive chains for tightness
3. Check all drive set screws for tightness
4. Check all electrical connections and input power and test for proper operation

11. Loading Bottom media or Kraft paper roll

1. Loosen the fastening screws on the brake assembly on one side of the supply shaft, and slide brake assembly off the supply shaft.
2. Slide the new roll onto the supply shaft
3. Return the brake assembly to the supply shaft
4. Position the supply roll in the middle of the supply shaft and measure the distance from one side of the roll to the side frame (You'll use this measurement when loading the top supply roll in section #13 to align the top and bottom rolls)
5. Fasten the screws for brake assembly (Note: there should be 1/8" clearance between the positioning and the adjusting sleeves of the film core adaptor to make brake adjustment easier)
6. Adjust the brake tension by turning the adjusting sleeve
(Note: the brake tension should not prevent roll from turning)

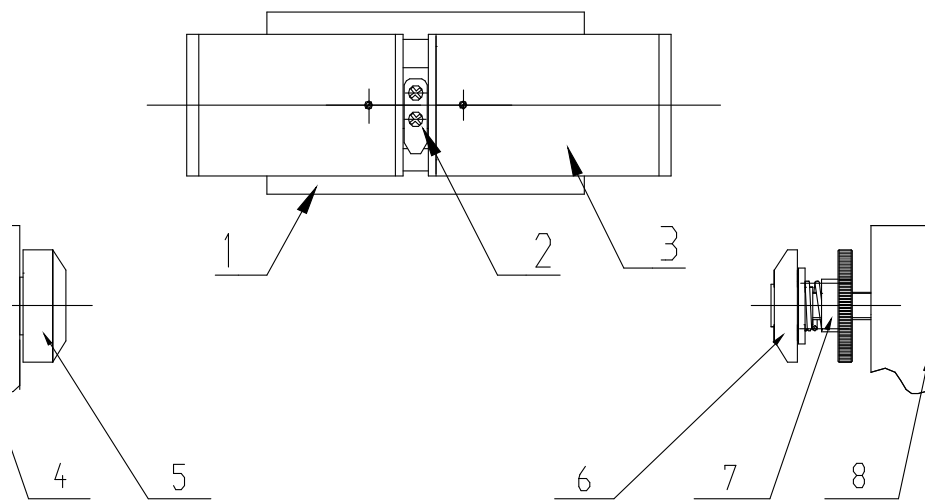


1. Supply shaft 2. Substrate 3. Film Core 4. Positioning sleeve
5. Brake adjustment screw 6. Fastening screws for the brake assembly 7. Brake assembly

12. Installing Take up reel

1. Loosen the pressure-adjusting nut near the right cabinet, and the rewind tube can then be removed from the machine
2. Slide a cardboard tube onto the rewind tube by rotating away from the core stop clip
3. Install the rewind tube onto the positioning sleeves with the core stop clip pointing away from the Nip Rollers or toward rear of the machine with core stop clip positioned on top of the rewind tube. (Note: Pay attention to the direction of the core stop clip, or the application will be affected.)
4. The rewind tube is driven by friction. The friction and tension will be increased with a left turn of the pressure-adjusting nut, and a right turn will decrease them.

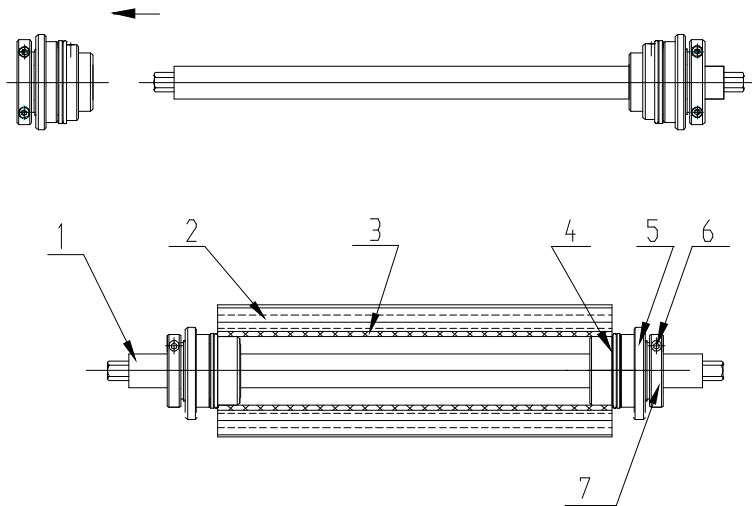
Note: Adjust the rewind tube pressure-adjustment nut to allow the backing paper to be removed and the film to enter the rollers evenly



1. Cardboard tube 2. Core Stop clip 3. Rewind Tube 4. Left side cabinet
5. Positioning sleeve 6. Positioning sleeve 7. Pressure-adjusting nut 8. Right side cabinet

13. Loading Film

1. Loosen the fastening screws on the film core adaptor on one side of the supply shaft, and slide off the supply shaft.
2. Slide the film rolls onto the supply shaft
3. Return the film core adaptor to the supply shaft
4. Position the film in the middle of the supply shaft and measure the distance from one side of the film core adaptor to the side frame (Position the same distance from the roll to the side frame as the bottom roll in section #11 to align the top and bottom rolls)
5. Fasten the screws for film core adaptor (Note: there should be 1/8" clearance between the positioning and the adjusting sleeves of the film core adaptor to make brake adjustment easier),
6. Adjust the brake tension by turning the adjusting sleeve (Note: the brake tension should not prevent roll from turning)
7. Position bottom roll same distance from side frame as the top supply roll

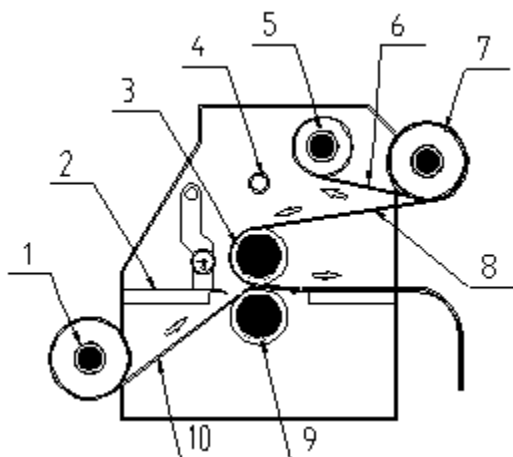


1. Supply shaft
2. Substrate
3. Film Core
4. Positioning sleeve
5. Brake adjustment screw
6. Fastening screws for the brake assembly
7. Brake assembly

14. Threading Film

1. Place cold film roll on top supply shaft and mounting adhesive roll on bottom.
(See “Loading film” section 13)
2. Pull the film with the paper liner by hand, making sure there is proper resistance. The resistance can be adjusted with the adjusting sleeves near the core chucks on each side of the supply shaft
3. Turn the pressure-adjusting hand-wheel to lift up the upper rubber roller.
4. Pass the film through the two rollers and lay on the rear working panel. Pull the film flat then turn the pressure-adjusting hand-wheel to let down the upper rubber roller.
5. Separate the paper liner from the film web at an appropriate place, pull up the liner and tape it to the paper tube on the top rewind tube
NOTE: Slide film cutter between the paper liner and film to cut liner only. Be careful not to cut the top heat roller
6. Use foot pedal to advance the film web until the adhesive is exposed on the front of the top nip roller
7. Raise the feed tray assembly
8. Bring the bottom mounting adhesive or media web up and tack to the exposed film web adhesive
9. Lower the feed tray assembly
10. Use foot pedal to advance both webs until cleared of the nip rollers


Note: The film should be wrinkleless and tight to the surface of the heat roller. If the film is not tight enough, turn increase the roller pressure. If wrinkles appear in the film web, adjust the brake tension on both sides of the film roll



1. Bottom Supply roll
2. Feed Tray
3. Top Nip roller
4. Pressure linkage shaft
5. Liner Rewind
6. Liner
7. Film supply roll
8. Film web
9. Bottom Nip roller
10. Media or Kraft paper web

15. Operation

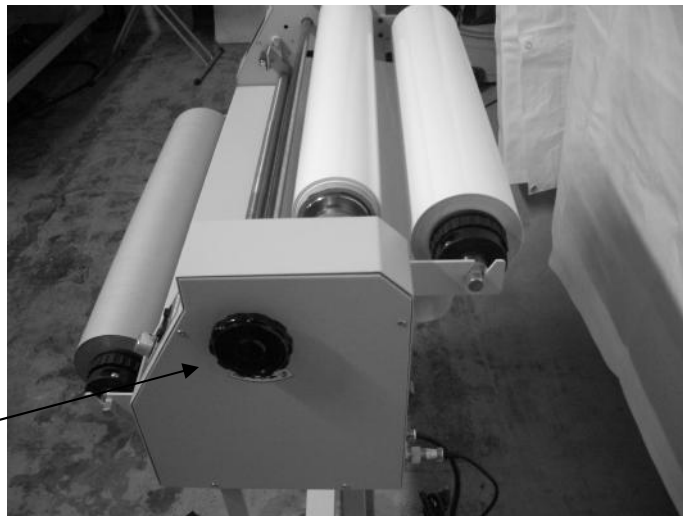
1. Plug power cord into a proper receptacle

-  Connect the attachment plug provided with the laminator to a suitably grounded outlet only. This machine must have reliable earth wire to ensure the safety of the machine during operations
 - Contact an electrician should the attachment plug provided with the laminator not match the receptacles at your location
 - Ensure that the voltages of the power supply you are using match the rated working voltages before operations. Do not use incorrect power supply
 - Do not use damaged wires or sockets. If abnormal conditions occur, switch off the power supply first.
2. Turn power to “ON” with the rear power switch

16. Roller Gap

1. When the pressure-adjusting hand-wheel is turned clockwise, the top rubber roller comes down and the pressure will increase
2. With a counter-clock turn, the top rubber roller goes up and the pressure will decrease.
3. Too much nip pressure will wrinkle the output. Bring the nip roller down to just touch the film, then a slight increase in pressure
4. When using the 230C, bring the rollers down only to touch the film together.

Pressure
hand wheel



17. Laminating

Note: It is hard to remove film adhesive once it gets onto the rubber rollers. When laminating, always use materials same width as the film roll. If your sheets are narrower than the film roll, use a laminating sled or Kraft paper roll on the bottom to keep the film adhesive from sticking to the bottom machine rubber roller. Always use media roll the same width or wider than the film supply roll.

To clean the rollers, use rubber eraser or Isopropyl Alcohol and a shop towel.

17. A Single Sheets using a sled

- Load a roll of laminating film on the top roller
(see loading film section 13)
- Turn the pressure-adjusting hand-wheel to lift up the upper roller.
- Select a piece of Gatorboard or other PVC mounting board the width of the film web to use as a sled under the print to be laminated
- Insert the sled between the nip rollers and lower the top roller until it touches the sled
- Reverse the motor to back the sled out of the rollers
- Pass the film web under the idler bar and down in front of the roller
- Separate 1” of the paper liner from the film web, attach film web to a leader board the width of the film roll and insert leader board into the rollers
- Use foot pedal to advance the film web half way through the roller and stop
- Position print on the sled
- Depress the foot switch and run sled through
- Insert another leader board or next sled right behind the first sled

17 B. Multiple sheets using Kraft paper from all roll

- Load a roll of laminating film on the top unwind Supply Shaft (see Loading film section 13)
- Load a roll of Kraft Paper on the bottom, front unwind Supply shaft, unwinding from the BOTTOM of the roll
- Thread both rolls through machine (see Threading film section 13)
- Press run
- Feed single sheets continuously

**17 C. Media from a roll**

- Load a roll of laminating film on the top unwind Supply Shaft (see Loading film section 13)
- Load a roll of printed media on the bottom, front unwind Supply shaft, unwinding from the TOP of the roll
- Thread both rolls through machine (see Threading film section 13)
- Press run

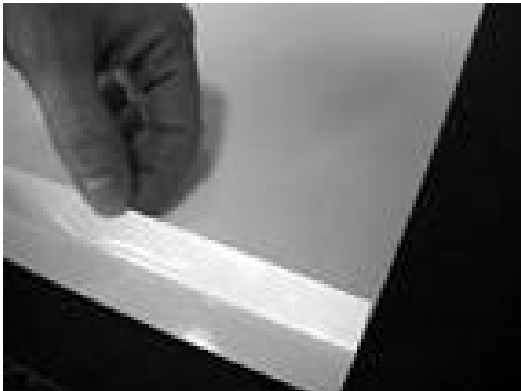
18. Mounting

18 A. Pre-coating mounting boards

- Load a roll of mounting adhesive on the top roller
(see loading film section 13)
- Insert leader board the same thickness as the board to be coated and the width of the mounting adhesive, between the nip rollers and lower the top roller until it touches the board
- Pull mounting adhesive down over the idler bar and over the front of nip roller and adhere to the leader board
- Run leader board half way through the roller and stop
- Insert mounting board to be coated and depress foot switch
- After the last board, insert leader board to keep adhesive from contacting the rollers

18 B. Mounting print to pre-coated mounting board

- Pull back and fold down 1" of the liner from the pre-coated mounting board
- Adhere leading edge of the print to the exposed adhesive on the board
- Insert leading 1" of the board into the nip rollers
- Lower the roller
- Lay print over top nip roller
- Hold release liner on board with one hand and apply pressure to print as it comes over the top roller.
- Depress the foot switch to run the board and print through the rollers



19. Troubleshooting

Problems	Causes	Solutions
Machine does not turn on	<ol style="list-style-type: none"> 1. No power supply 2. Main power switch is OFF 3. Circuit breaker has tripped 4. Blown main power fuse 5. Motor has failed 	<ol style="list-style-type: none"> 1. Plug in power cord 2. Place power switch to ON 3. Reset circuit breaker 4. Replace fuse on rear panel 5. Change the electric motor
Rollers do not turn after “Run” button is pressed	<ol style="list-style-type: none"> 1. Emergency switch is engaged 2. Excess roller nip pressure 	<ol style="list-style-type: none"> 1. Disengage emergency switch 2. Reduce the nip pressure of the rubber rollers
Poor film adhesion or cloudy prints	<ol style="list-style-type: none"> 1. Nip roller pressure to low. 2. Dust on the surface of the print 	<ol style="list-style-type: none"> 1. Increase nip roller pressure 2. Clean print surface before lamination
Poor film adhesion on one side	<ol style="list-style-type: none"> 1. Nip roller pressure on the two sides is not even 	<ol style="list-style-type: none"> 1. See “Roller gap adjustment”
Lamination output is curled	<ol style="list-style-type: none"> 1. Sheet is curled upward 2. Sheet is curled downward 	<ol style="list-style-type: none"> 1. Reduce top roll tension 2. Reduce bottom roll tension
Film supply roll gets loose during operation	<ol style="list-style-type: none"> 1. Not enough brake tension on supply roll 	<ol style="list-style-type: none"> 1. Increase brake tension on supply roll
Backing paper gets loose when being rolled up	<ol style="list-style-type: none"> 1. Not enough brake tension on the backing paper rewind roller 	<ol style="list-style-type: none"> 1. Increase brake tension on backing paper rewind roller
Wrinkles in film both on top and bottom	<ol style="list-style-type: none"> 1. Too much nip roller pressure 	<ol style="list-style-type: none"> 1. Reduce nip pressure with hand wheel

20. Specifications

Description	230 C
Laminating Width	30"
Roller Diameter	2.5"
Roller Gap	1/2"
Laminating Speed	11.5 Ft/min
Unwinds	Top and bottom
Film core size	3"
Liner take up	Direct drive
Pressure adjustment	Single Hand wheel
Tension adjustment	Dual brakes
Power Supply	110 v 0.3 amp
Power Consumption	30 W
Net weight	117 lbs.
Dimensions	43" x 16.5" x 42"
Shipping weight Machine/ stand	161 lbs.
Shipping dimensions machine	48.5" x 21" x 23"



21. Warranty

EQUIPMENT WARRANTY

January 2014

Graphic Finishing Partners, LLC warrants each new Gfp Laminator is free from defects in material and workmanship for a period of one (1) year from the date of installation. A machine which proves defective in materials or workmanship within the warranty period will be repaired or, at Gfp's option, replaced without charge. This warranty is extended only to the original purchaser.

This warranty is the only warranty made by Gfp and cannot be modified or amended. Gfp's sole and exclusive liability and the customer's sole and exclusive remedy under this warranty shall be, at Gfp's option, to repair or replace any such defective part or product. These remedies are only available if Gfp's examination of the product discloses to Gfp's satisfaction that such defects actually exist and were not caused by misuse, neglect, attempt to repair, unauthorized alteration or modification, incorrect line voltage, fire, accident, flood or other hazard.

The warranty made herein is in lieu of all other warranties, expressed or implied, including any warranty or merchantability or fitness for a particular purpose. Gfp will not be liable for personal damage or personal injury (unless primarily caused by its negligence), loss of profit, or other incidental or consequential damages arising out of the use or inability to use this equipment.

This warranty specifically does not cover damage to laminating rollers caused by knives, razor blades, or any sharp objects or abrasives, or failure caused by adhesives, or damage caused by lifting, tilting and/or any attempt to position the machine other than rolling on the installed castors or feet on even surfaces, or improper use of the machine. Warranty repair or replacement by Gfp or its authorized reseller(s) does not extend the warranty beyond the initial period from the date of installation. Unauthorized customer alterations will void this warranty.

Contact Information

CORRESPONDENCE:

Graphic Finishing Partners LLC
PO Box 1097
Maryland Heights, MO. 63043
800-986-2005
sales@gfpartnersllc.com
www.gfpartnersllc.com

SHIPPING:

Graphic Finishing Partners, LLC
13878 Parks Steed Drive
Earth City, MO. 63045