



DO NOT duplicate or make any changes to this manual without express written consent from Gfp

## Parts List 663TH



## 1. Exploded Drawings

View 1 - Frame and Rollers 3

View 2 - Unwind/Rewind Shafts 5

View 3 - Feed Table 7

View 4 - Slitter heads 9

View 5 - Roller Lift Mechanism Assembly 11

View 6 - Right Electrical Cabinet 13

View 7 - Drive Assembly and Brake/Clutch 15

View 8 - Control Panel, Foot Pedal and Power Cord 17

View 9 - Left Cabinet 19

## 2. Wiring Diagram 21

### CORRESPONDENCE:

Graphic Finishing Partners LLC  
PO Box 1097  
Maryland Heights, MO. 63043  
800-986-2005

[sales@gfpartnersllc.com](mailto:sales@gfpartnersllc.com)

[www.gfpartnersllc.com](http://www.gfpartnersllc.com)

### SHIPPING:

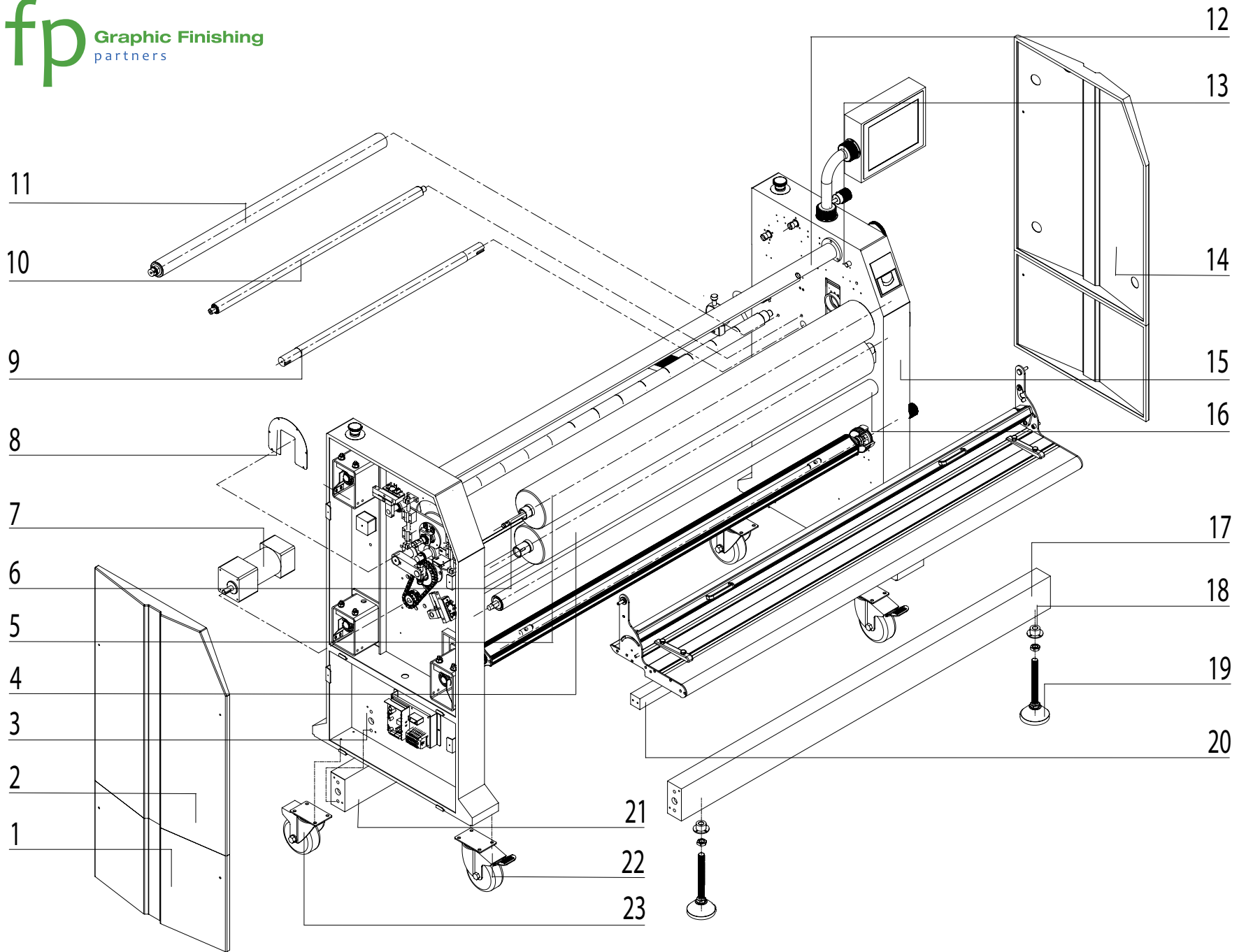
Graphic Finishing Partners LLC  
13878 Parks Steed Drive  
Earth City, MO. 63045

### PARTS:

[parts@gfpartnersllc.com](mailto:parts@gfpartnersllc.com)

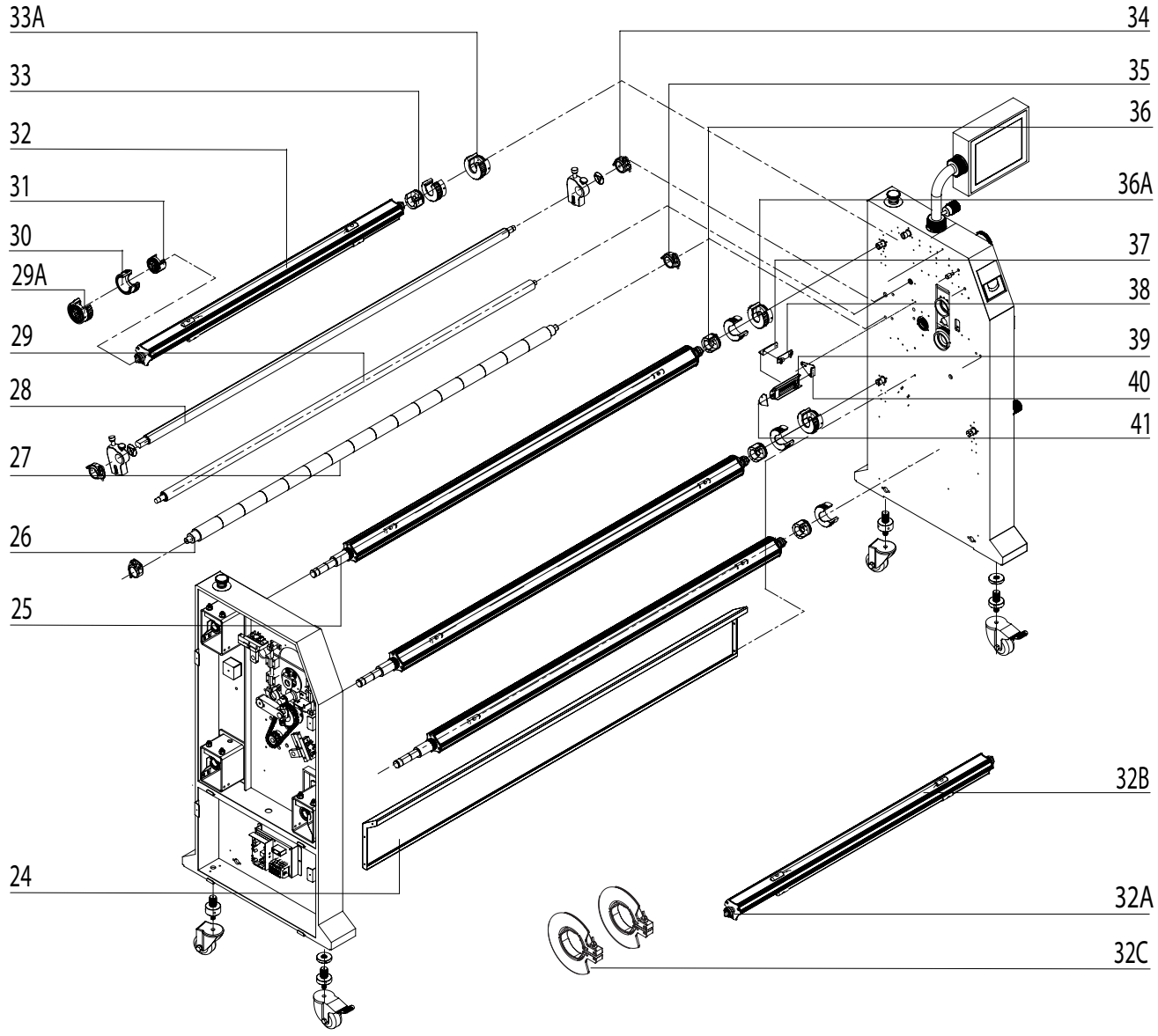
### SERVICE:

[service@gfpartnersllc.com](mailto:service@gfpartnersllc.com)



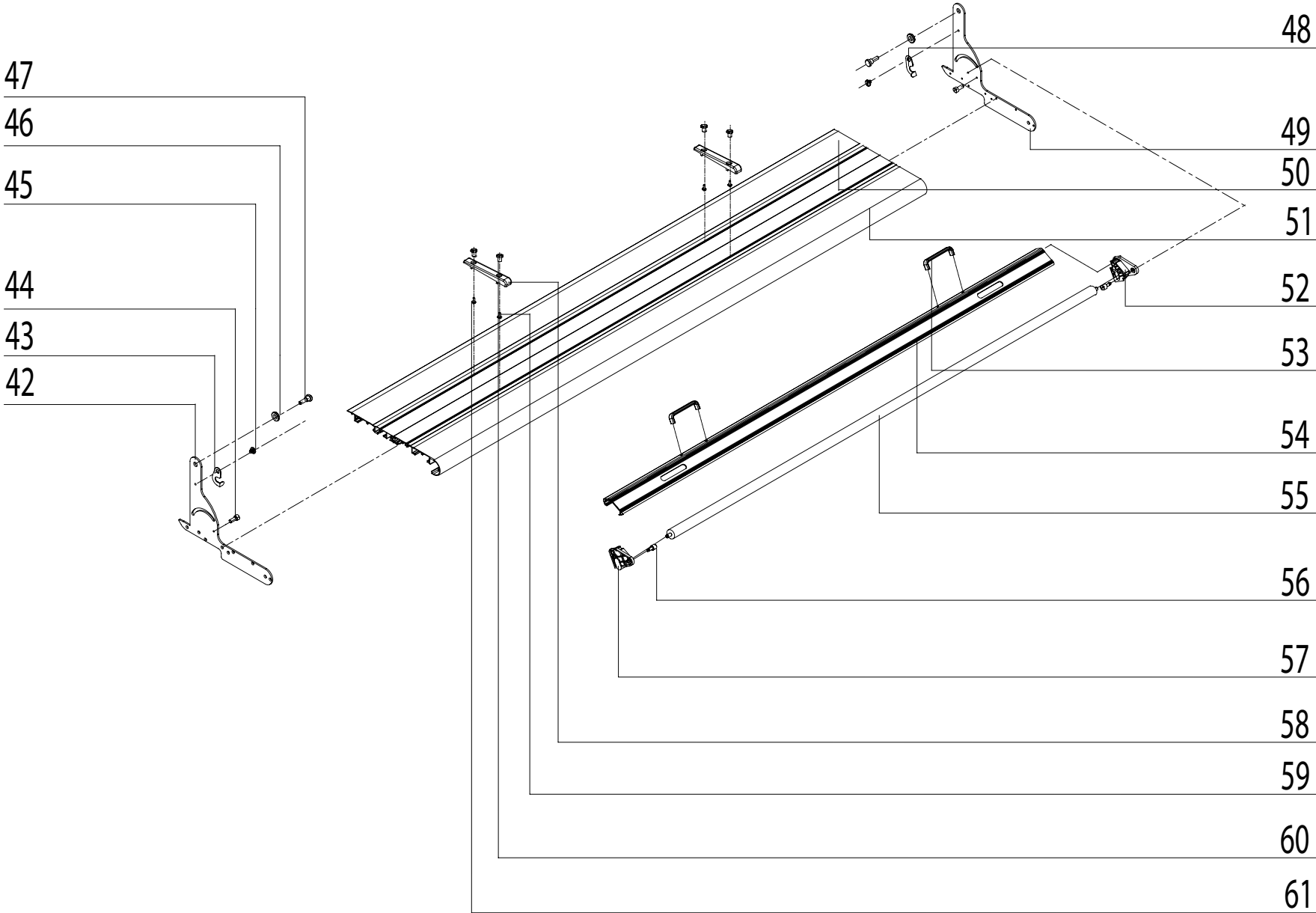
View 1 - Frame and Rollers

Drawing number	Part Number	Discription	Notes
1	663TH-001	End-cap of lower box	
2	663TH-002	End-cap of left box	
3	663TH-003	Left box	
4	663TH-006	Lower roller	
5	663TH-008	Upper roller	
6	663TH-007	Stainless steel heating tube	
7	663TH-004	Motor	
8	663TH-005	Blocking plate of right box roller	
9	663TH-009	Pressure adjusting shaft	
10	363TH-093	Upper guide roller (363TH)	
11	563-421	Lower support tube 1600	
12	563-173	Support tube 1	
13	TH-049	Front panel stud	
14	663TH-014	End-cap of right box	
15	663TH-013	Right box	
16	663TH-023	lower guide roller	
17	663TH-118	Front lower suport beam	
18	663TH-119	Foot support adjustment seat	
19	663TH-120A	Adjustable footings M16X150	
20	563-422	Upper support beam 1600	
21	663TH-121	Rear lower support beam	
22	TH-082	Trundle (with brake)	
23	TH-083	Caster without brake	



View 2 - Unwind/Rewind Shafts

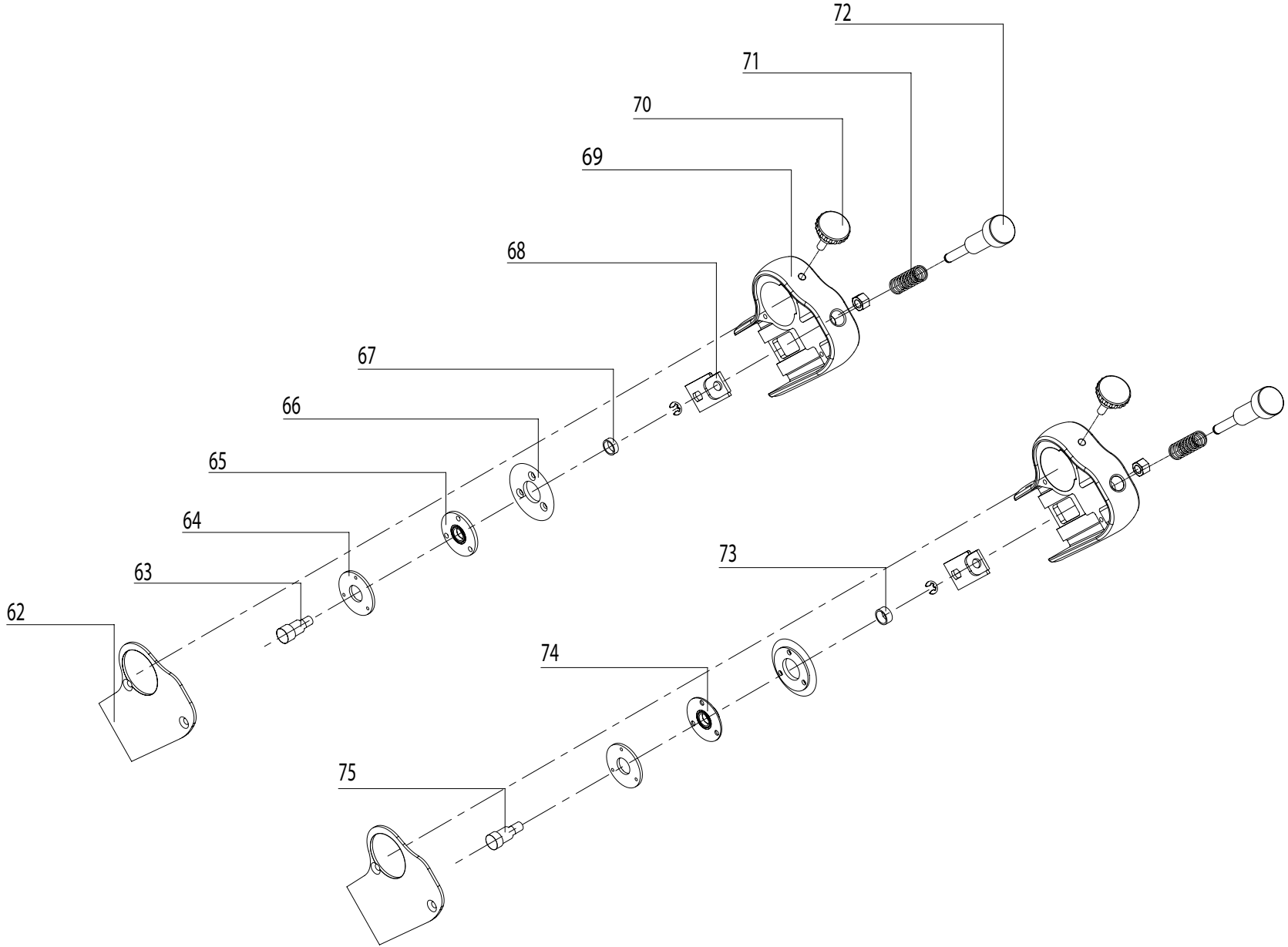
Drawing number	Part Number	Description	Notes
24	663TH-024	Rear support beam	
25	663TH-011	Feeding roller of outer swing arm	
26	563-439	Guide roller 1600	
27	DH-280	Outer lining of guide roller	
28	663TH-114	663TH cutter guide rod	
29	663TH-010	Upper guide roller	
29A	663TH-122	Right locking sleeve kit of unwind/rewind shaft	
30	55C-140	Winding and unwinding locking outer sleeve	
31	55C-139	Right winding and unwinding locking inner sleeve	
32	363TH-013	Fast-locking feeding roller	
32A	355TH-089	Unwind shaft end cap w/tongue	
32B	363TH-013-01	Rubber Tube	
32C	563-222	Alignment disks, one pair	
33	55C-137	Left winding and unwinding locking inner sleeve	
33A	663TH-123	Left locking sleeve kit of unwind/rewind shaft	
34	563-440	Outside lining lock limiter 32	
35	DH-282	Outside lining lock limiter 34	
36	663TH-012	Winding and unwinding aluminum alloy inner locking sleeve	
36A	663TH-124	Left locking sleeve kit of unwind/rewind shaft2	
37	TH-054	Fixing frame of sensor Support seat	
38	TH-056	Non-contact sensor	
39	563-438	Sensor support beam fixing frame (left)	
40	355TH-057	Sensor bracket	
41	TH-053	Sensor support frame plug	



View 3 - Feed Table

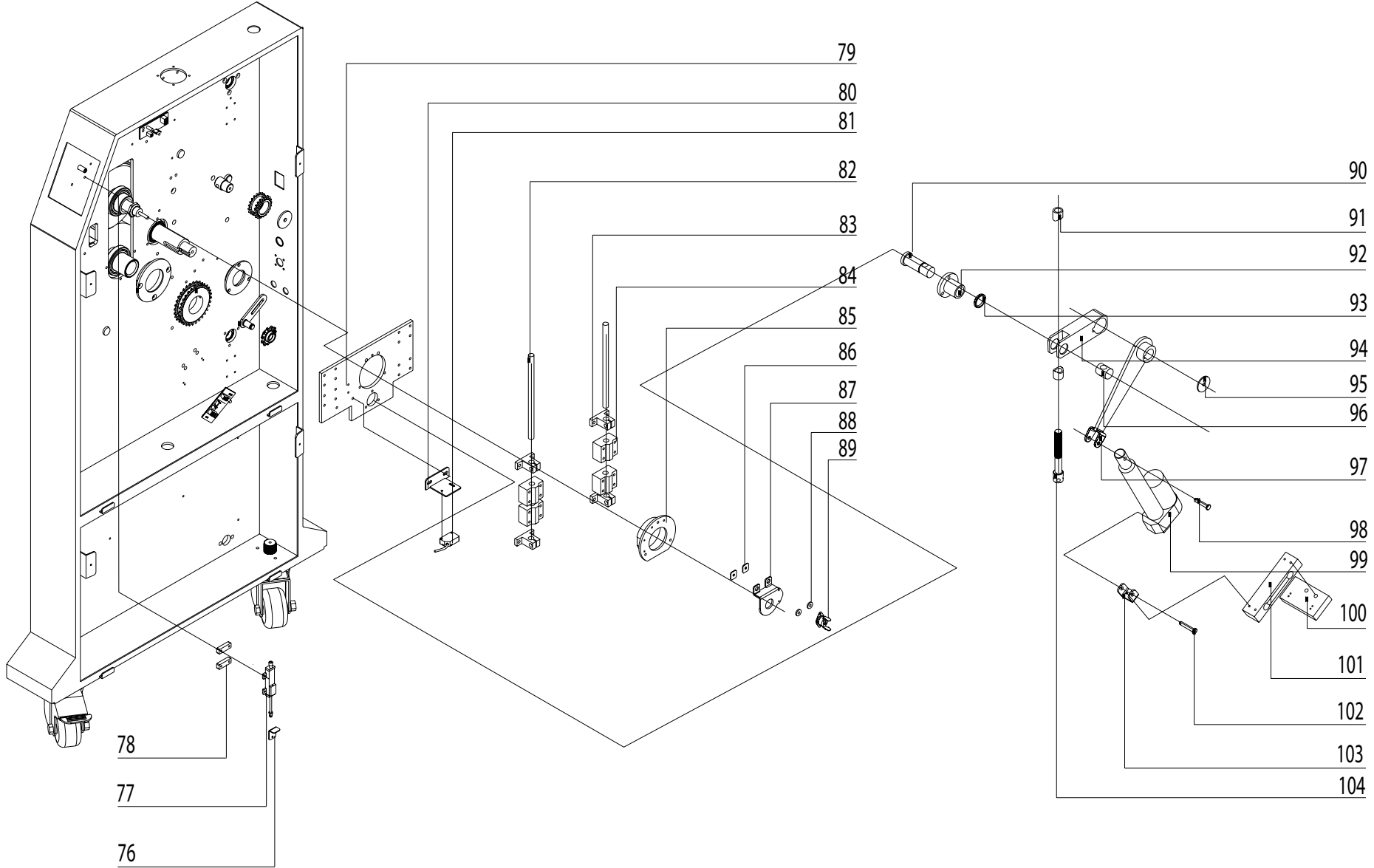




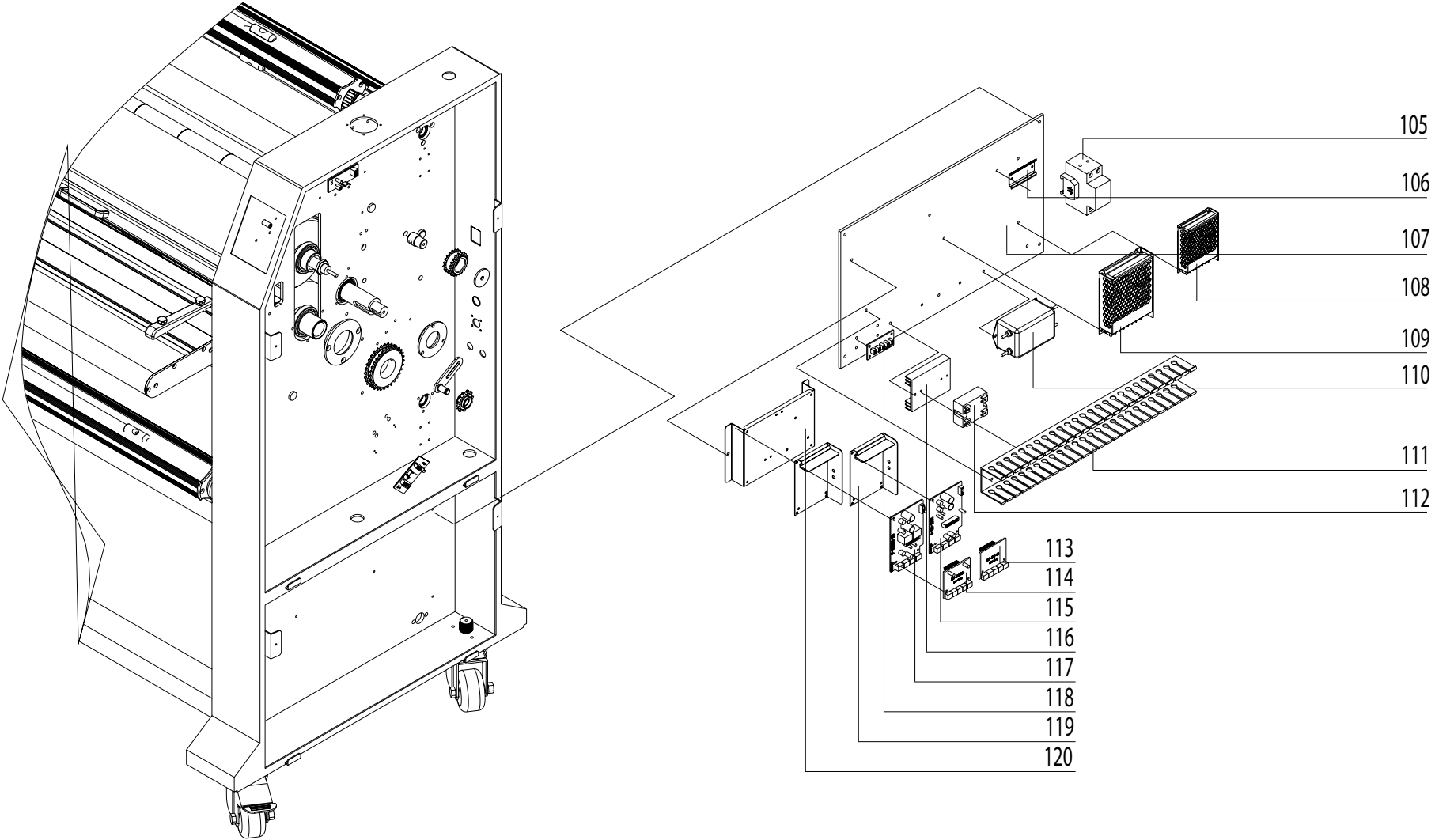


View 4 - Slitter Heads



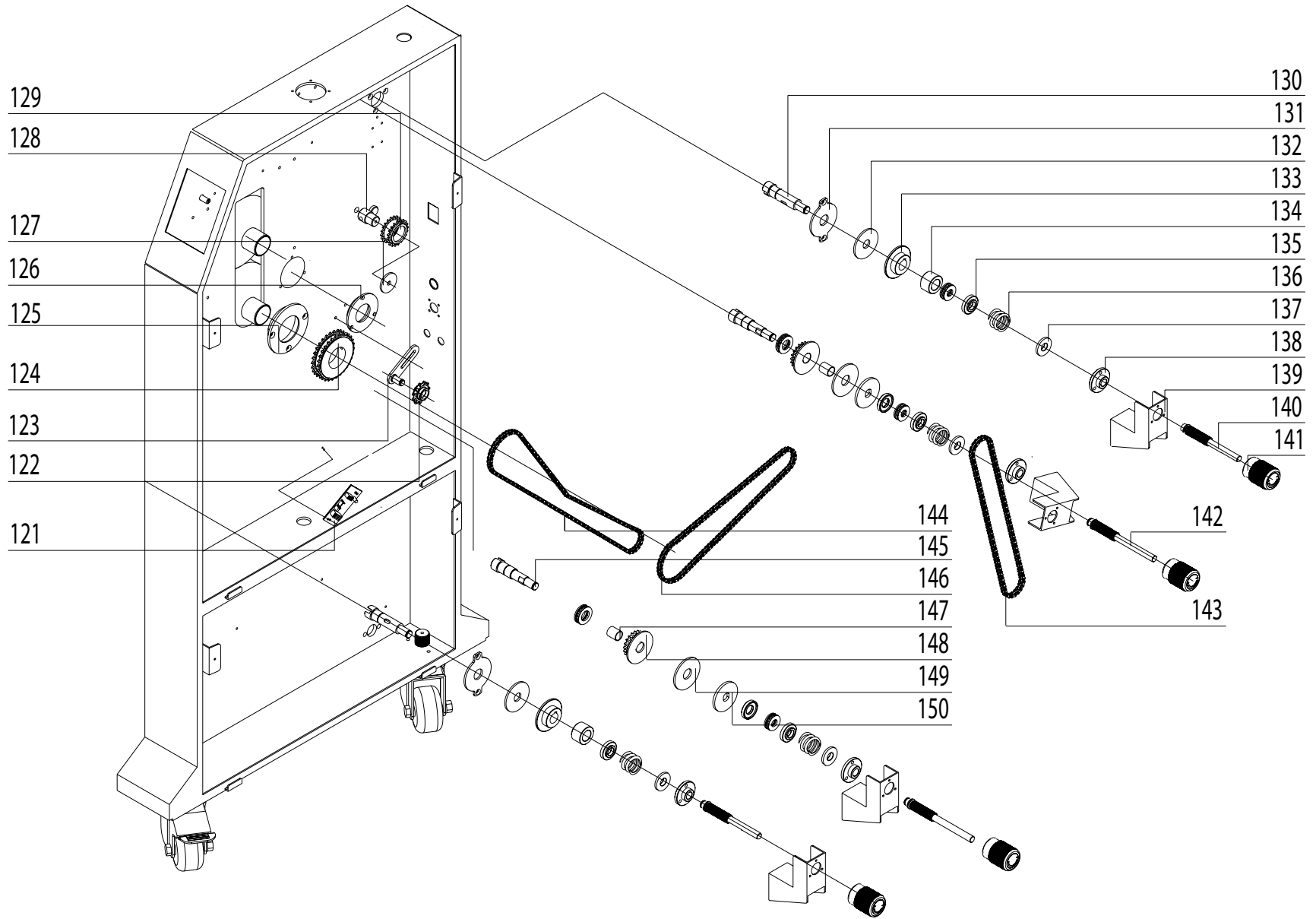


Drawing number	Part Number	Description	Notes
76	663TH-097	Displacement sensor baffle	
77	663TH-098	Displacement sensor	
78	663TH-096	Displacement sensor pad	
79	663TH-046	Pressure regulating left and right lifting plates	
80	44TH-019	Photoelectric sensor	
81	55C-214	Photoelectric eye right support	
82	663TH-044	Linear guide shaft	
83	663TH-043	Fixing seat for linear guide rail	
84	663TH-042	LM Series Bearing Block	
85	663TH-045	Upper roller bearing seat	
86	355TH-062	Stainless steel anticreep septum	
87	663TH-047	Stainless steel heating tube left support	
88	355TH-061	Stainless steel anticreep sleeve	
89	TH-091	Thermal protector	
90	663TH-039	Lifting locating shaft	
91	663TH-038	Lifting screw upper limiting sleeve	
92	663TH-037	Lifting locating sleeve	
93	663TH-036	Lifting locating shaft retaining pad	
94	663TH-035	Middle support iron of push rod	
95	663TH-031	90 motor gasket	
96	663TH-034	Lifting rotating locating shaft	
97	663TH-032	Support arm of push rod	
98	663TH-029	Upper connecting pin of push rod	
99	663TH-030	electric push rod	
100	663TH-025	130 sensor fixing iron	
101	663TH-026	130 pressure sensor	
102	663TH-027	Lower connecting pin of push rod	
103	663TH-028	Electric push rod support	
104	663TH-033	Lifting pressure regulating bolt	



View 6 - Right Side Electrical Cabinet

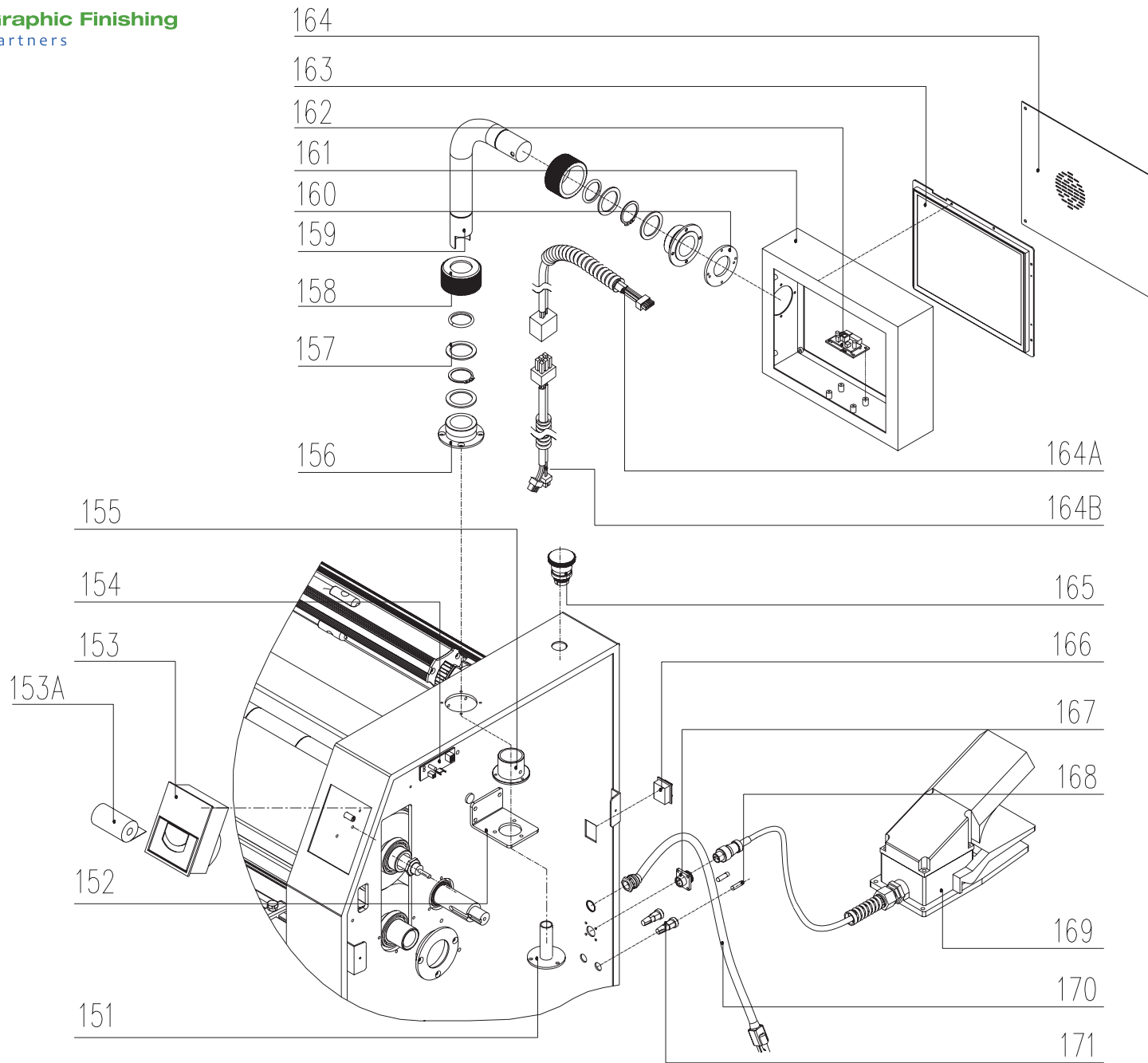




View 7 - Drive Assembly and Brake/Clutch Assemblies

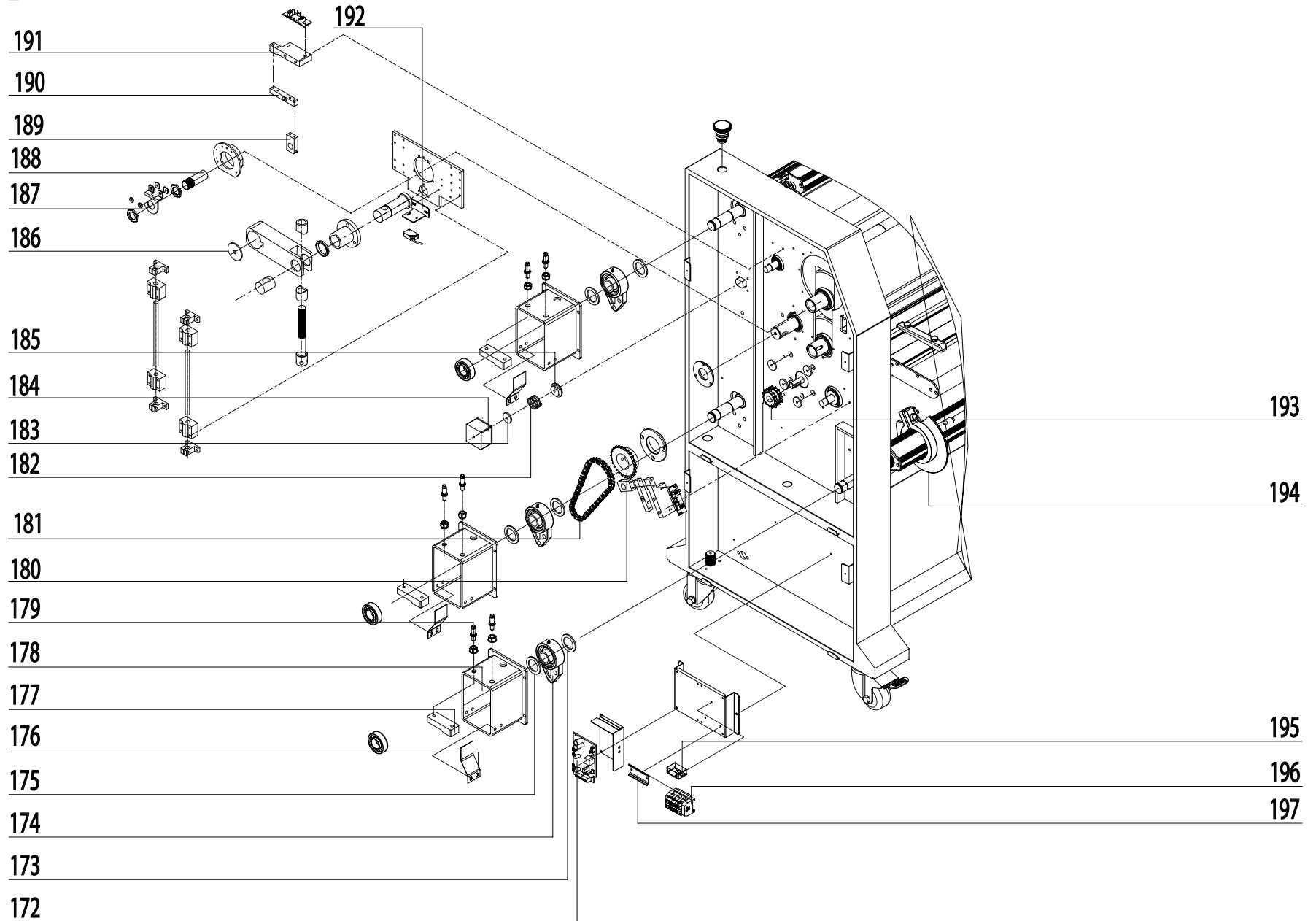
Drawing number	Part Number	Description	Notes
125	663TH-062	Lower roller bearing seat	
126	663TH-065	Pressure regulating bearing seat	
127	663TH-115	Middle support block retaining pad of push rod	
128	663TH-064	Intermediate shaft	
129	663TH-116	Intermediate wheel 22-teeth	
130	663TH-068	Locating shaft of film unwinding roller	
131	355TH-091	Winding and unwinding friction disc 3	
132	55C-146	Friction disc 2	
133	663TH-069	Thick friction plate	
134	663TH-070	Film unwinding roller spacing sleeve	
135	355TH-075	Damping spring seat 1	
136	55C-166	Feed Roller pressure spring (3)	
137	355TH-074	Damping spring seat 2	
138	355TH-076	Damping adjustment nut	
139	663TH-071	Feeding roller damping support	
140	663TH-072	Adjusting shaft of film unwinding roller	
141	55C-177	Non-scale fine-tuning handle	
142	663TH-073	Adjusting shaft of paper laminating roller	
143	663TH-074	04H chain 112-pitch	
144	663TH-078	04H chain 152-pitch	
145	663TH-079	Locating shaft of drawing winding roller	
146	663TH-080	04H chain 102-pitch	
147	663TH-081	Composite bearing	
148	663TH-082	Paper laminating and winding sprocket 17-teeth	



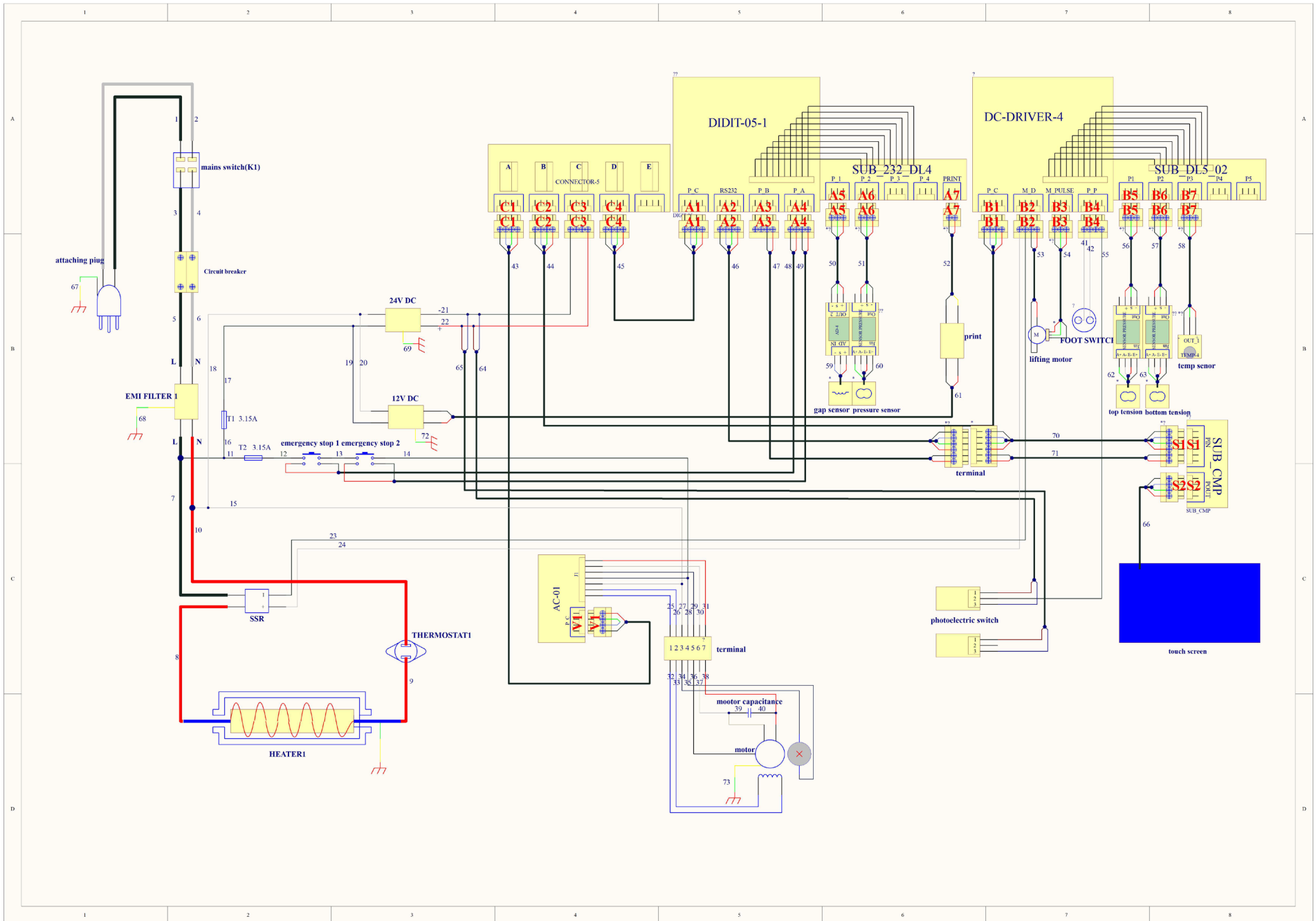


View 8 - Control Panel, Foot Switch and Power Cord

Drawing number	Part Number	Description	Notes
151	663TH-060	Control box wire sheath	
152	663TH-059	Lower support of control box	
153	663TH-057	Printer	
153A	663TH-057A	Printer label roll 55x30 1 roll	
154	663TH-061	Height sensor	
155	663TH-058	Lower locating sleeve of control box	
156	663TH-048	Operation control box connecting seat	
157	663TH-049	Operation control box gasket	
158	663TH-050	Operation control box nut	
159	663TH-051	Operation control box support rod	
160	663TH-052	Control box fixing plate	
161	663TH-053	Operation control box	
162	663TH-054	Control box circuit board	
163	663TH-055	Touch screen	
	663TH-055A	Touch screen	Starting SN#2306663THA051/Program change/Use with 663TH-091A
164	663TH-056	Operation control box end--cap	
164A	663TH-125	leading wire 1	
164B	663TH-126	leading wire 2	
165	DH-048	Emergency stop switch	
166	TH-098	Rocker switch	
167	TH-097	Aviation plug	
168	663TH-067	Fuse tube	
169	TH-114	Foot switch	
170	663TH-066	American 3-wire power cable	
171	TH-094	Fuse base	







View 10 - Wiring Diagram